

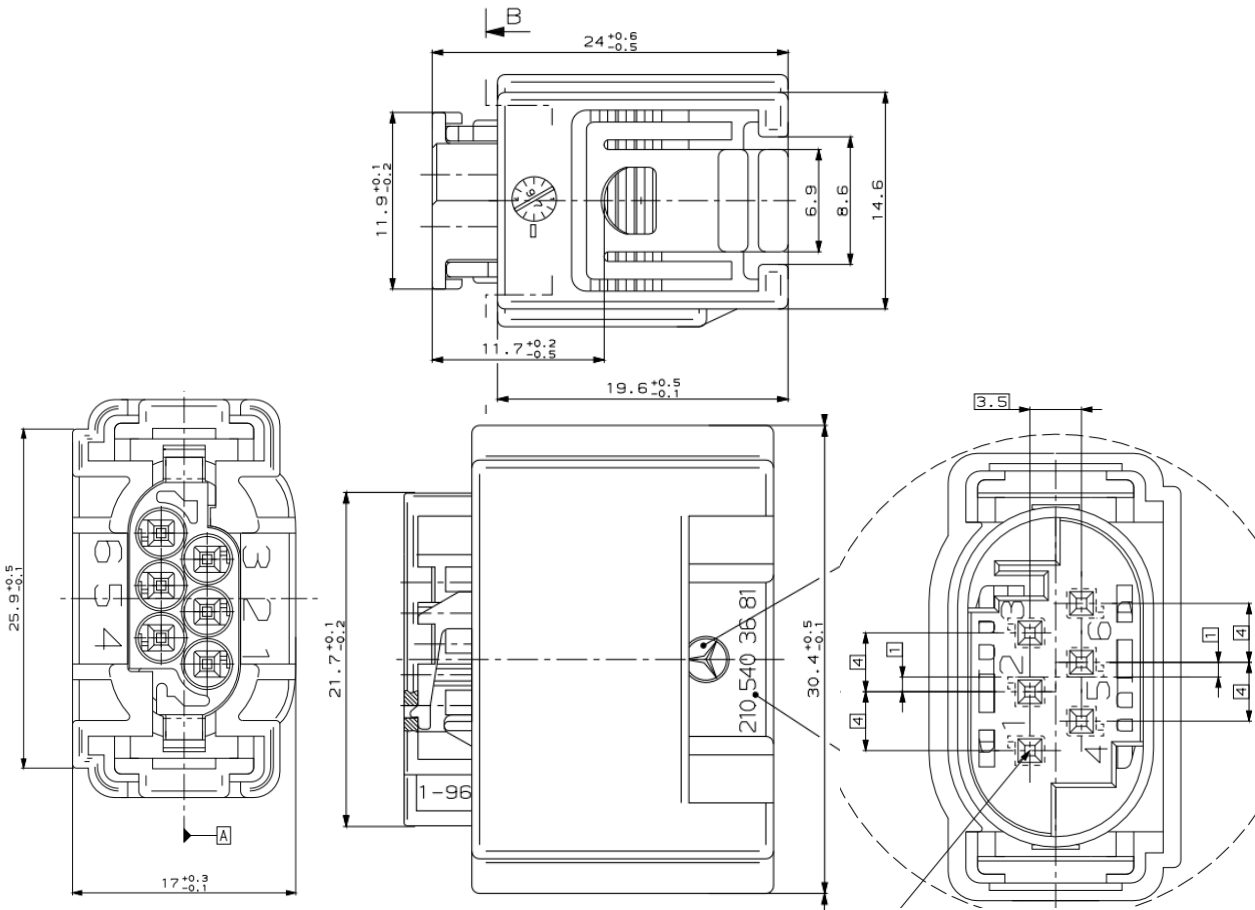
# 1-967616-1替换 1-967678-1说明报告

Wilson Wang  
2022.10.26

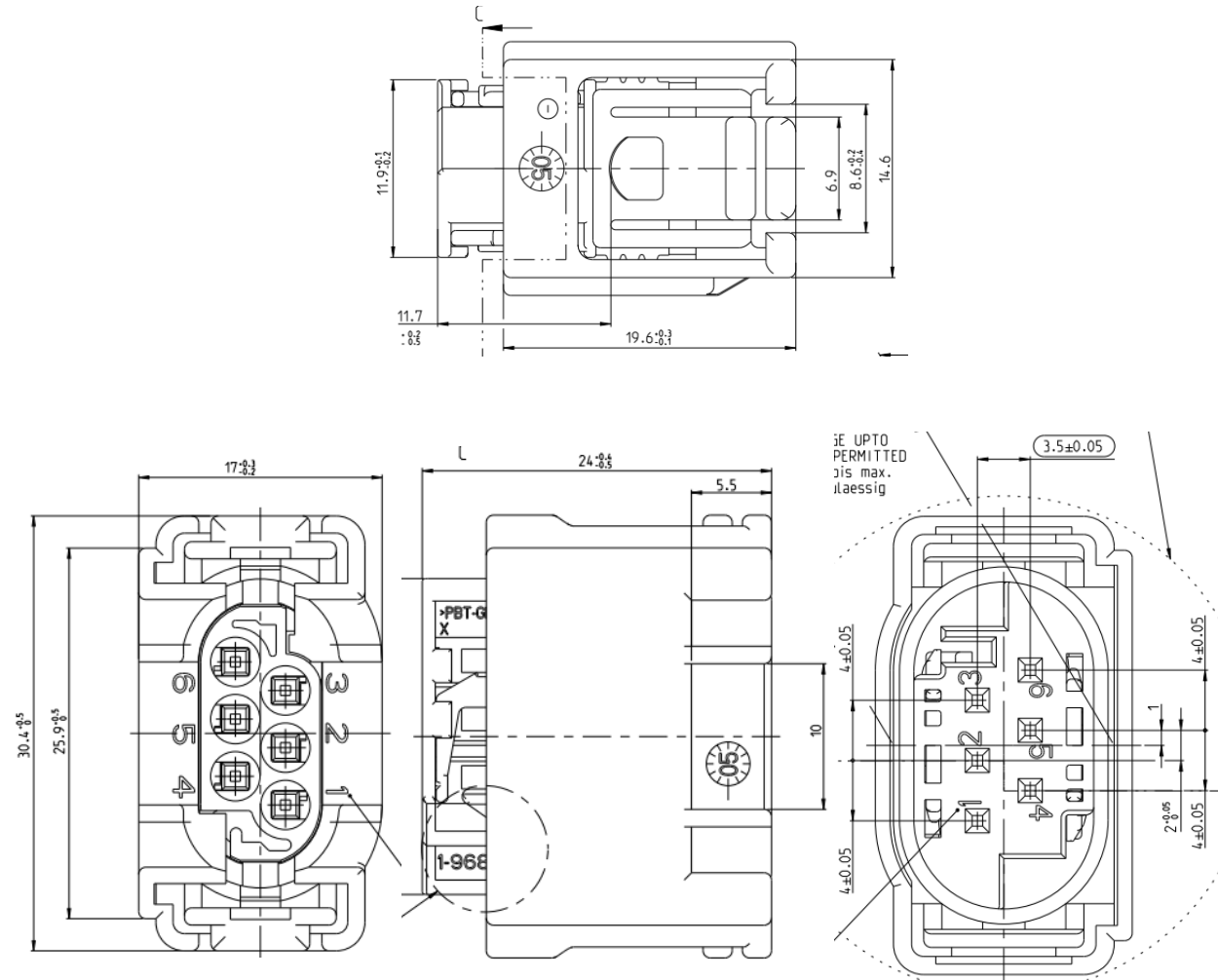
EVERY CONNECTION COUNTS

# 尺寸比对

## 1-967678-1

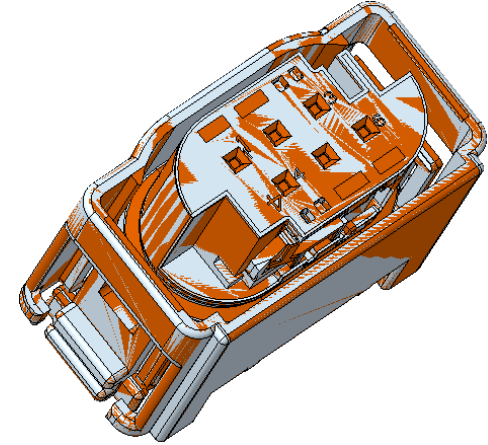
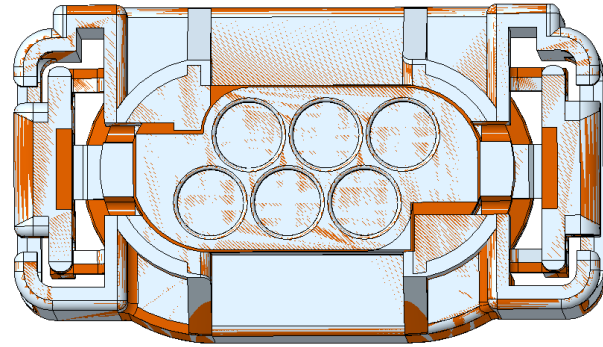
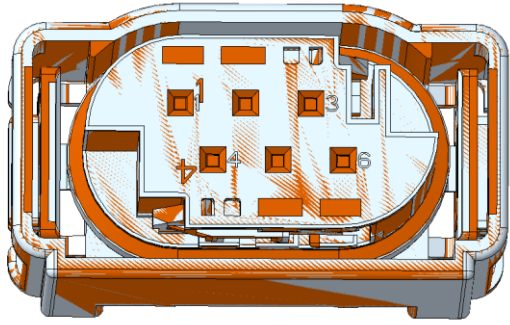


## 1-967616-1



1-967678-1和1-967616-1所有关键尺寸均相同

# 外形和Interface比对



通过3d软件模拟，外形和Interface完全相同

# 匹配端子型号确认

Bemerkungen :  
NOTES:

- 1 Massgebend ist der deutsche Text  
ONLY GERMAN LANGUAGE VERSION SHALL BE AUTHORITATIVE
- 2 Passend zu Buchsenkontakt fuer Einzelleiterabdichtung:  
SUITABLE FOR SOCKET CONTACT FOR SINGLE WIRE SEALING  
TE 962885 ( DGB 0.2-0.5 mm<sup>2</sup> ), 965906 ( DGB 0.75 mm<sup>2</sup> )  
TE .....
- 3 Kragenanschluss siehe Zeichnung:  
SHROUDED CONNECTION SEE DRAWING:  
TE 114-18063-126  
TE.....

## Single Wire Sealing System

Wire Size Range (mm <sup>2</sup> )	Insulation Diameter		Material and Finish	Part Numbers						
	FLK (mm)	FLR (mm)		Strip Form	Package Quantity	Loose-Piece	Package Quantity	Applicator		Hand Tool
								Standard	Fine Adjust	
0.20–0.50	–	0.9–1.6	pre-tin plated	962885-1	9,000	963727-1	500	1426108	1528022	2063529-1
			gold plated	962885-5	9,000	963727-5	500			
			silver plated	962885-6	9,000	963727-6	500			
0.50–0.75	–	1.4–1.9	pre-tin plated	965906-1	9,000	965907-1	500	1426123	1528071	2063530-1
			gold plated	965906-5	9,000	965907-5	500			
			silver plated	965906-6	9,000	965907-6	500			

两个料号均是使用MQS端子且使用端子料号相同

# 对配端型号确认

## 6 Position Receptacle Housings

No. of Pos.	Keying Options	Housing Color	Part Numbers							Mating PCB Header Right-Angle	Mating PCB Header Vertical
			Receptacle Housing	Cover	Locking Device	Cover and Lever	Retainer Housing	Mating Pin Housing			
6	A	Black	1-967616-1								
	A	Black	1-967616-2	-	-	-	-	1-967587-3	-	-	
	B	Gray	2-967616-1								
	C	Blue	3-967616-1								

1-967587-3	A	1-967678-1	E	4	1	960497-3	A	6 POS.	PBT-GF 15	RAL 9011
				3	1	967097-1	A	SEALING	Elastosil LR 3846/30	NATURAL
				2	2	968495-1	A	RETAINER	PBT-GF 15	GREY RAL 7037
				1	1	1-968494-3	A	SOCKET HSG. 6 POS.	PBT-GF 15	BLACK RAL 9011
MATED WITH	COD	TE Connectivity ASSY NO.	REV	POS	QTY	TE Connectivity PART NO.	REV	DESCRIPTION	Material	COLOUR

1-967587-3均可以配合1-967616-1和1-967678-1

---

**WHEN  
TECHNOLOGY  
CONNECTS,  
SO DOES HUMANITY.**

---

EVERY CONNECTION COUNTS

