

II型自愿认证变更申请书

申请编号/Application No.: V2025CQC107303-1384478

认证委托人/Applicant: 北京光华荣昌汽车部件有限公司/BEIJING GOLDRARE Automobile parts Co.,LTD.

联系人/Contact Person: 张慧/Zhang Hui

电话/ Telephone: 18610117320

传真/Fax:

电子邮件/E-mail: cstj@bjghrc.com



一、 申请内容/Contents of Application:

本次认证申请的详细信息见中国质量认证中心产品认证业务在线申办系统中填写的内容。/The details of this application is referenced in China Quality Certification Centre Product Certification Online System;

二、 认证委托人承诺/Commitment of the Applicant

本申请书项下认证委托人现就**本次认证**向**CQC**郑重承诺如下:

For the application for the certification, the applicant under this application hereby makes solemn commitment to CQC as follows:

1、**保证认证对象^[1]具备相关法定资质、资格且未列入国家信用信息严重失信主体相关名录；保证认证对象等符合《产品质量法》《消费者权益保护法》《认证认可条例》《认证机构管理办法》等相关法律法规的规定，不得违背公序良俗，不得侵害他人的人身权利、财产权利以及其他合法权益，不得损害公共利益。**

To ensure that the certification object has the corresponding statutory qualifications and has not been included in the relevant list of seriously dishonest entities concerning the national credit information; Ensure the certification object comply with relevant laws and regulations including but not limited to Product Quality Law of the People's Republic of China, Law of the People's Republic of China on the Protection of Rights and Interests of Consumers, Regulations of the People's Republic of China on Certification and Accreditation, Administrative Measures on Certification Bodies, and shall not violate the public order and good customs, harm the personal rights, property rights and other lawful rights and interests of others, nor harm public interests.

2、**保证严格遵守法律、法规、部门规章和规范性文件的规定，以及认证所适用的认证规则（包括但不限于认证实施规则、技术要求等）；根据相关法律法规，认证委托人、产品的生产者（制造商）或销售商应承担相应的主体责任，包括但不限于产品质量责任、侵权责任等。认证委托人知悉，CQC对申请认证产品作出合格评定，仅表明获证产品符合特定标准及认证规则要求，并不代表CQC将承担依法应由该等产品的生产者（制造商）或销售商承担的产品质量责任及其它任何法律责任。**

To ensure the strict compliance with the provisions of laws, regulations, departmental rules and normative documents, as well as the applicable certification rules (including but not limited to the certification implementation rules, technical requirements, etc.); **According to the relevant laws and regulations, the applicant, the producer (manufacturer) or the seller of the product shall bear the corresponding entity's responsibility, including but not limited to the product quality responsibility, tort liability, etc. The applicant is aware that CQC's conformity assessment of the products applying for certification only indicates that the certified products meet the requirements of specific standards and certification rules, and does not mean that CQC will bear the product quality responsibility and any other legal responsibility that should be borne by the producers (manufacturers) or sellers of such products according to law.**

3、**保证将向CQC提供其为进行本申请书项下认证活动所必需、真实、准确、完整、合法、有效的原始书面材料、副本材料、复印材料（包括电子文档）或口头说明，不存在任何虚假记载、误导性陈述或者重大遗漏之处，有关材料上的签字、印章真实、合法、有效，有关副本材料或复印件均与其正本材料或原件一致，作出的所有口头说明均与事实相符。**

To ensure the original written materials, copy materials, duplicates (including electronic documents) or oral statements provided to CQC are necessary, true, accurate, complete, lawful and effective for the certification under this application, without any false records, misrepresentation or major omission, the signatures and seals on the relevant materials are true, legitimate and effective, and the relevant copy materials or duplicates are consistent with the reserved copy or the originals, and all the oral statements are consistent with the facts.

4、保证在认证过程和获证后始终遵守诚信，CQC在认证过程和获证后监督中做出的任何决定，均基于认证委托人诚信的前提。对于认证委托人实施欺诈、隐瞒、误导等不诚信行为造成的所有不利后果，CQC不承担任何责任。在申请认证产品的生产者（制造商）、授权代表、生产企业并非认证委托人的情况下，相关生产者（制造商）、授权代表、生产企业的行为视为认证委托人的不诚信行为。认证委托人自行承担任何因不诚信行为导致的法律责任。

To ensure that always comply with integrity in the process of certification and after being certified, any decision made by CQC in the process of certification and supervision after being certified is based on the premise of the applicant's integrity. CQC will not assume any responsibility for all adverse consequences caused by dishonest acts such as fraud, concealment and misleading by the applicant. Under the circumstances that the producer (manufacturer), the authorized representative or manufacturing enterprise applying for certification are not the applicant, the dishonest acts of the relevant producer (manufacturer), the authorized representative or manufacturing enterprise shall be regarded as dishonest acts of the applicant. Any legal liabilities caused by dishonest behavior shall be borne by the applicant.

5、认证委托人应当妥善保管在CQC网站“产品认证业务在线申办系统”^[2]申请的账号，包括用户名和密码，不得将该账号转让、出借、出租或分享予第三方使用，并应对以其账号进行的所有活动和事件负法律责任。

The applicant shall properly keep the account applied in CQC's website "online application system for product certification", including user name and password, and shall not transfer, lend, lease, or share the account to a third party for use, and shall be liable for all activities and events conducted with the use of the account.

6、本申请书记载的信息与认证委托人在CQC网站“产品认证业务在线申办系统”中提交的申请内容一致，详细信息以认证委托人在前述网页上填写并提交的具体内容为准；认证委托人授权代理机构、中国办事处等代理人办理本次认证的，认证委托人知悉并认可，该代理人就本次认证向CQC作出的任何行为均视为认证委托人向CQC作出，且该等行为产生的全部法律效果直接归属于认证委托人。

The information written in this application is consistent with the application content submitted by the applicant in the CQC's website "online application system for product certification", and the detailed information shall be subject to the specific content filled in and submitted by the applicant on the aforesaid webpage; if the applicant authorizes an agency, China office or other agents to handle the certification, the applicant shall know and acknowledge that any act of the agent to CQC in respect of the certification shall be deemed to be done by the applicant to CQC, and all legal effects generated by such act shall be directly attributable to the certification applicant.

7、保证本次认证所涉及的产品持续符合所适用的国家标准、行业标准及其它相关标准，并在该产品经过强制性产品自我声明并标注CCC标志后方可出厂、销售、进口或者在其他经营活动中使用，认证委托人对该等保证愿负法律上之责任。

To guarantee that the products involved in the certification conform to applicable national standards, industrial standards and other relevant standards, and that the products can only be delivered, sold, imported or used in other business activities after they have passed compulsory product self-declaration and labeled with CCC mark, and the applicant is willing to bear legal responsibility for such guarantees.

8、保证按时、足额支付本次认证所涉及的申请、试验、工厂检查及其它有关费用^[3]；如因认证委托人自身原因放弃、中止本次认证，或本次认证未获CQC通过的，认证委托人仍负有根据CQC已实际完成的工作向CQC支付相应费用的义务；在认证委托人未按照双方约定或CQC通知的期限足额支付有关认证费用达到【30】日时，认证委托人同意CQC享有随时暂停直至终止本次认证的权利。认证委托人知悉并理解，在认证流程的每一环节均存在认证不通过的可能性。

To ensure that paying the fees for the application, test, factory inspection and other related activities in the certification on time and in full amount; if the applicant abandons or suspends the certification due to his/her own reasons, or the application fails to pass CQC's certification, the applicant still has the obligation to pay the corresponding fees to CQC based on the work that CQC has actually completed; when the applicant fails to pay the relevant certification fees in full in accordance with the agreement or the time limit notified by CQC in 30 days, the applicant agrees that CQC has the right to suspend the certification at any time until termination of the certification. The applicant knows and understands that there is a possibility that the certification application may not pass at every step of the certification process.

9、在申请认证产品的生产者（制造商）、授权代表或生产企业并非认证委托人的情况下，认证委托人有义务促使相关生产者（制造商）、授权代表或生产企业履行相关义务，同意为本次认证之目的对生产者（制造商）、授权代表和生产企业的有关行为进行有效约束，协调其全力协助、配合CQC的认证工作，及时将CQC对生产者（制造商）/授权代表/生产企业的具体要求以书面形式告知生产者（制造商）/授权代表/生产企业，并要求生产者（制造商）/授权代表/生产企业就CQC对其工厂检查时发现的不符合项等及时反馈给认证委托人。

Under the circumstances that the producer (manufacturer), the authorized representative or manufacturing enterprise applying for certification are not the applicant, the applicant is liable for prompting the relevant producer (manufacturer), the authorized representative or manufacturing enterprise to perform their obligations, agrees to effectively restrict the relevant behaviors of the producer (manufacturer), the authorized representative and the manufacturing enterprise for the purpose of the certification, coordinate them to fully assist and cooperate with CQC's certification work, and timely inform the producer (manufacturer)/the authorized representative/the manufacturing enterprise of CQC's specific requirements for the producer (manufacturer)/the authorized representative/the manufacturing enterprise in written form. In addition, the producer (manufacturer)/the authorized representative/the manufacturing enterprise are required to timely give the feedbacks to the applicant on the nonconformities found by CQC in the factory inspection.

10、认证委托人将及时关注“产品认证业务在线申办系统”中的“通知”（包括不限于提交文件通知、送样通知、工厂检查通知、交费/费用结算通知）等与本次认证有关的信息。认证委托人保证其提供的样品的真实性及样品与实际生产的产品一致。认证委托人应当妥善保管型式试验报告、工厂检查报告和认证变更确认等与本次认证相关的资料，以备监督检查时使用。

The applicant shall timely pay attention to the “notice” (including but not limited to document submission notice, sample delivery notice, factory inspection notice, payment/expense settlement notice) and other information related to the certification on the “online application system for product certification”. The applicant shall ensure that the samples provided are consistent with the products actually being produced. Properly keep the type test report, factory inspection report and certification change confirmation and relevant materials related to the certification in case of supervision and inspection.

11、认证委托人、生产者（制造商）、授权代表和生产企业应当始终满足本次认证的要求，包括当收到CQC的通知时做出适当变更；如果本次认证适用于持续生产，则申请认证产品应持续满足认证要求。

The applicant, producer (manufacturer), the authorized representative and manufacturing enterprise shall always meet the requirements of the certification, including making appropriate changes when receiving the notice from CQC; If the certification is applicable to continuous production, the products applying for certification shall continuously meet the certification requirements.

12、当认证委托人、生产者（制造商）、授权代表和生产企业发生了以下任何一种可能影响满足认证要求的能力的变更时，包括不限于：法律地位、生产经营状况、组织机构或所有权或控股股东发生变更；法定代表人、主要的管理/决策或技术人员发生变更；对产品或生产工艺进行改进；联系地址或生产场地发生变化；质量管理体系出现重大变化等情形，认证委托人应在“产品认证业务在线申办系统”中提交变更申请。

When there is any change in relation to the applicant, producer (manufacturer), the authorized representative and manufacturing enterprise that may affect the ability to meet the certification requirements, including but not limited to the changes in the legal status, production and operation status, organization, ownership or controlling shareholder, changes in the legal representative, main management/decision-making or technical personnel; improvement of products or production processes, changes in contact address or production site, major changes of quality management system etc., the applicant shall submit the application for change on the “online application system for product certification”.

13、在本次认证实施过程中，当出现现场检查、书面审核、产品一致性检查等事项，认证委托人应当向CQC及其相关方做出所有必要的安排。

During the implementation of the certification, the applicant shall make all necessary arrangements to CQC and its related parties when there are on-site inspection, written audit, product consistency check, etc.

14、认证委托人有关认证的声明应与认证范围一致；**在使用认证结果对其获得II型自愿认证进行宣传时，认证委托人不得损害CQC的声誉，不得做出虚假广告或者误导性宣传或未经授权的有关产品认证的声明；**认证委托人确保不采用误导的方式使用或部分使用认证证书和报告；如果将认证文件的副本提供给其他人，文件应被完整地复制或按照认证方案的规定复制。认证电子证书与纸质证书具有同等法律效力，认证委托人应妥善管理、规范使用电子证书。

The applicant's statement about certification shall be consistent with the certification scope; **When using the certification results to promote its type II CQC certification, the applicant shall not damage CQC's reputation, and shall not make any false advertisements, misleading publicity or unauthorized statement about product certification;** the applicant shall ensure that the certificate and report are not used in a wrong way or in part; if a copy of the certification document is provided to others, the documents shall be copied in full or in accordance with the provisions of the certification scheme. The electronic certificate has the same legal effect as the paper certificate. The applicant shall properly manage the use of the electronic certificate and make the use in a standardized way.

15、严格遵守与符合性标志的使用和产品相关信息的任何要求（包括不限于法律、法规、部门规章、规范性文件、认证规则及认证方案等），并承诺在提交自我声明后依据《强制性产品认证标志加施管理要求》^[4]加施认证标志。**鉴于II型自愿认证以生产者（制造商）或授权代表的CCC自我声明为最终表达方式的属性，不允许在产品主体及外包装上加施CQC标志。**

To strictly abide by any requirements related to the use of conformity marks and product related information (including but not limited to laws, regulations, departmental rules, normative documents, certification rules and certification schemes, etc.), and promise to affix certification marks in accordance with the Management Requirements for the Addition of Compulsory Product Certification Marks after submitting self-declaration. **In view of the attribute of type II CQC certification that the CCC self-declaration of the producer (manufacturer) or the authorized representative is the final expression, it is not allowed to add the CQC mark on the product body and outer packaging.**

16、**严禁伪造认证证书、认证标志。在文件、宣传册或广告等传播媒介中涉及到产品认证内容时，遵守CQC的要求或认证方案的规定；未获认证时，严禁使用CQC注册商标、商号进行任何宣传或广告。**

It is strictly prohibited to forge certificate, certification mark. When the content of product certification is involved in documents, brochures, advertisements and other media, the requirements of CQC or the regulations of certification scheme shall be followed; when certificate has not been granted, it is strictly prohibited to use CQC registered trademark or trade name for any publicity or advertisement.

17、认证委托人保证在申请本次认证之前六个月内，申请认证的产品不存在曾经被撤销自我声明的情形。若认证委托人、生产者（制造商）或生产厂出现重大投诉、重大舆情，经CQC评估认为相关获证产品可能会对人体健康或生命安全造成损害的，CQC可以暂停或撤销认证证书。认证证书被暂停期间或被撤销后，认证委托人应立即停止有关认证内容的广告和宣传，采取认证方案要求的措施（如交回认证文件）以及其他需要的措施。

The applicant guarantees that within six months before applying for the certification, the product applying for the certification has not ever been revoked self-declaration. If the applicant, producers (manufacturer) or manufacturing enterprise received major complaints or public opinions, CQC may suspend or withdraw the certificate if it believes that the certified products may cause damage to human health or life safety after CQC's evaluation. During the period when the certificate is suspended or withdrawn, the applicant shall immediately stop the advertisement and publicity of the certification content, and take the measures required by the certification scheme (such as returning the certification documents) and other necessary measures.

18、保存已知的与认证要求符合性有关的所有投诉记录，以及对这些投诉和在产品中发现的影响认证要求符合性的任何缺陷所采取的适当的措施，并将所采取的措施形成文件，及时主动向CQC提供。

To keep records of all known complaints related to the conformity of certification requirements, and take appropriate measures for these complaints and any defects found in the products that affect the conformity of certification requirements, and document the measures taken and provide them to CQC in a timely and active manner.

19、认证委托人发现其获证产品在国家监督抽查、地方监督抽查或相关部门监督抽查中存在不合格的情形，或存在安全隐患，可能对人体健康和生命安全造成损害的，或生产者（制造商）、生产企业存在前述情形的，以及产品的生产者（制造商）或授权代表出现《强制性产品认证实施规则——自我声明》中规定的可能导致自我声明被撤销或实施整改的情形，无论其自我声明是否被认证监督管理部门撤销或采取其他处理措施，认证委托人均应在情况发生之日起5个工作日内以书面如实告知CQC，CQC根据实际情况，有权采取暂停、撤销证书以及其他必要措施。在需要时，要求认证委托人自行或由认证委托人督促产品的生产者（制造商）或授权代表及时向报送系统通报相关情况。

The applicant finds that the certified products are detected as unqualified in the national, local or relevant department's supervision and spot checks, or the certified products have potential safety hazards, which may cause damage to human health and life safety, or producers (manufacturer) or manufacturing enterprise has the aforesaid situation, and the producer (manufacturer) or the authorized representative of the product may cause the self-declaration to be revoked or implement rectification as specified in the "Implementation Rules on Compulsory Product Certification--self-declaration", regardless of whether the self-declaration is revoked by the certification supervision and management department or other measures are taken, the applicant shall inform CQC truthfully in writing within 5 working days from the date of occurrence, CQC has the right to suspend, withdraw the certificates and other necessary measures based on actual conditions. When necessary, the applicant is required to urge the producer (manufacturer) or the authorized representative of the product to report the relevant situation to the submission system in time or by the applicant.

20、认证委托人知悉，根据国家相关法律法规，当司法机关、行政主管部门、仲裁机构及其他相关部门依职权向CQC调查取证时，CQC有义务协助配合调查。认证委托人知悉并同意CQC会根据认证主管部门要求进行认证信息报送工作。

The applicant acknowledges that according to the relevant national laws and regulations, when the judicial authority, administrative department, arbitration body and other relevant departments investigate and collect evidence from CQC, CQC has the obligation to assist in the investigation. The applicant acknowledges and agrees that CQC will submit the certification information according to the requirements of relevant authorities.

21、认证委托人在申请书中填写的信息均是真实、准确、完整、有效、及时的，并且知悉一经CQC受理本次认证即表明同意受本申请书及受理通知书的约束。认证委托人确保在CQC留存联系方式（包括但不限于联系地址、联系人、电话、电子邮件等信息）的准确、有效，如联系方式发生任何变化应第一时间向CQC进行变更，否则认证委托人将承担因此而产生的一切不利后果（包括但不限于认证决定、通知无法送达等）。

The information filled in by the applicant in the application is true, accurate, complete, effective and in time, and the applicant acknowledges that once CQC accepts the certification, the applicant agrees to be bound by the application and the acceptance notice. The applicant shall ensure that the contact information (including but not limited to contact address, contact person, telephone, e-mail and other information) retained in CQC is accurate and effective. In case of any changes of contact information, notice of change shall be sent to CQC as soon as possible, otherwise the applicant will bear all adverse consequences (including but not limited to the consequences of certification decision, notice cannot be delivered, etc.).

22、认证委托人已经仔细阅读并充分理解本申请书项下的全部内容，以及本申请所涉及或引用的相关法律法规、规范性文件、标准和要求；如违反本承诺，愿意承担由此引起的一切法律责任。CQC将根据具体情况要求认证委托人承担继续履行、采取补救措施、赔偿损失等违约责任，并保留暂停、撤销其认证证书的权利。

The applicant has read and fully understood all the contents of this application, as well as the relevant laws and regulations, normative documents, standards and requirements involved or quoted in this application. In case of any violation, the applicant is willing to bear all the legal responsibilities arising therefrom. CQC will require the applicant to bear the liability for breach of contract such as continuing to perform, taking remedial measures, compensating for losses, etc., and retain the right to suspend, withdraw the certificate.

23、认证委托人应及时、如实地答复CQC向认证委托人提出的与认证相关的任何问题，及时提供CQC要求报送的资料及要求提供的其他文件的正本或者副本。

The applicant shall timely and truthfully reply any question from CQC which is related to certification, and submit the required materials, other original documents or its duplicates to CQC in a timely manner.

24、认证委托人因认证事宜与CQC发生争议提起诉讼时，由CQC住所地人民法院管辖。

In case of a lawsuit regarding a dispute arising in certification between the applicant and CQC, the People's Court at the location of CQC's domicile shall have jurisdiction.

25、本文件由中英文版本书写，当英文版本与中文版本不一致时，以中文版本为准。

This document is written in Chinese and English. In case of any inconsistency between the English version and the Chinese version, the Chinese version shall prevail.

三、认证委托人注意事项/Guidance for the Applicant

1、认证委托人应将申请书寄受理部门。 The certification applicant shall send the application to the department of CQC as specified below.

本申请受理部门:/Department accepting the application: 中国质量认证中心产品三部/China Quality Certification Centre Product Certification Department 3

地址:/Address: 中国北京市丰台区南四环西路188号9区 联系电话:/Contact number: 010-83886400

2、请用中文填写认证委托人、生产者（制造商）、生产企业和认证产品的名称，需要时请用中、英二种文字填写。

Please fill in the name of the applicant, producer (manufacturer), manufacturing enterprise and certified product in Chinese, or both in Chinese and English when necessary.

3、有关认证的公开文件可登录中国质量认证中心网站 (<http://www.cqc.com.cn>) 获取

The public documents related to CQC product certification can be obtained on the website of China Quality Certification Centre (<http://www.cqc.com.cn>).

4、如果申请II型自愿认证，同时也申请CB认证，请填写完“认证委托人承诺”后，继续填写CB认证申请书。

If applying for type II CQC certification and CB certification at the same time, please continue to fill in CB certification application after completing "Commitment of the Applicant".

5、II型自愿认证与CB认证同时申请时，生产者（制造商）必须相同。

When applying for type II CQC certification and CB certification at the same time, the producer (manufacturer) must be the same.

6、CB认证申请书以英文填写为准，相同的内容可以复制。

CB certification application shall be completed in English, and the same content can be copied.

7、经过认证的产品能够符合自我声明的技术要求，但本认证不是自我声明评价方式的替代，通过本认证后，制造商（生产者）或授权代表仍需在“强制性认证产品符合性自我声明信息报送系统”成功报送相关信息、提交自我声明后，方能按照相关规定加施CCC标志。制造商（生产者）或授权代表对其在报送系统中提交信息的过程、结果以及在后市场监管等环节的行为和因此导致的结果承担主体责任。

The certified products can meet the technical requirements of self-declaration, but the certification is not a substitute for self-declaration evaluation, after they have passed the certification, the manufacturer (producer) or the authorized representative still needs to enter the "information submission system for compulsory certification product conformity self-declaration" has successfully submitted the relevant information and submitted the self-declaration, the CCC mark can be added in accordance with relevant regulations. The manufacturer (producer) or the authorized representative shall bear the entity's responsibility for the process and results of submitting information in the submission system, as well as the actions in the post-market supervision and other links and the resulting results.

8、认证委托人获证后有关证书注销、暂停（恢复）、撤销等重要信息，CQC将以“通知书”形式按上述“认证委托人”信息中的内容以“挂号信”或EMS方式进行邮寄、告之。如持证人证书内容（认证委托人/生产者（制造商）/生产企业名称、地址等）发生变化，请及时申请证书变更。如邮寄地址（证书、发票或通知书）发生变化，请及时登录“产品认证业务在线申办系统”修改。

CQC will notify certificate holder the information of cancellation, suspension (resumption), and withdrawal by Notice via registered letter or EMS. If there is any change on certificate contents (the name or address of the applicant/producer (manufacturer)/manufacturing enterprise), please apply the certificate modification in time. If the mailing address (certificate/ invoice/notice) changes, please log in "online application system for product certification" and make changes in time.

9、认证委托人获证后有关证书注销、暂停（恢复）、撤销的信息，请登录中国质量认证中心网站或国家认监委网站 (<http://www.cnca.gov.cn>) 进行查询。

The certificate holder can check the information of certificates cancellation, suspension (resumption) and withdrawal on China Quality Certification Centre website or Certification and Accreditation Administration of the People's Republic of China website (<http://www.cnca.gov.cn>).

10、获证后，请认真核对证书信息，如有疑问，请在获证后15个工作日内向受理部门提出申诉。

Please verify the information on the certificate after being certified. If there is any problem, please appeal to the complaint department within 15 working days after being certified.

11、在证书到期前6个月，请关注证书状态及CQC“产品认证业务在线申办系统”的相关通知，并按照认证实施规则的规定申请“到期换证”。II型自愿认证证书到期前尚未按照要求完成到期换证的，会导致证书注销。

Please pay attention to the certificate status and the notice of CQC's "online application system for product certification" six months before the expiration of the certificate, and apply for "certificate renewal upon expiration" in accordance with the certification implementation rules. If the type II CQC certification renewal has not been completed before expiration, the certificate will be cancelled.

12、电子证书将通过认证委托人在CQC“产品认证业务在线申办系统”相应的账号获取，电子证书与纸质证书具有同等法律效力。

The electronic certificate will be obtained through the corresponding account of the applicant in CQC's "online application system for product certification". The electronic certificate has the same legal effect as the paper certificate.

13、认证委托人在CQC“产品认证业务在线申办系统”注册账号信息如若遗失需进行找回的，需按照CQC“产品认证业务在线申办系统”注册账号找回流程的要求提供相应的信息和证明，并确保提供的信息和证明文件的合法、真实、有效，若提供的材料不真实或不符合要求，无法通过安全验证，可能会导致注册账号找回失败，相应的风险和损失由认证委托人自行承担。

If the registration account information of the applicant in CQC's "online application system for product certification" is lost and needs to be retrieved, it is necessary to provide corresponding information and proof in accordance with the requirements of CQC's "online application system for product certification" registration account retrieval process, and ensure that the information and proof provided are legal, authentic and effective. If the materials provided are not true or do not meet the requirements and result in the failure to pass the security verification, the corresponding risks and losses of failure to retrieve the registered account shall be borne by the applicant.

14、CQC将秉承“守正创新 用心服务”的客户服务理念，提供独立公正、科学诚信的认证服务，向社会“传递信任，服务发展”，努力成为全球值得信赖的质量服务机构。CQC及其人员承诺对其所知悉的国家秘密和商业秘密负有保密义务。在CQC提供认证服务过程中，如认证委托人需申诉、投诉或存在争议的，请登录CQC网站，按照“业务在线”一栏项下“投诉监督”^[5]所列示的相关要求，以书面形式向CQC提出。如有对CQC及各部门、分中心、CQC自建实验室及所属经济实体等单位和个人违纪违法行为的检举、控告和申诉，或对有关党纪、党风工作、政纪、廉政工作的批评、建议和询问等内容，可向CQC纪检监察部举报，可通过CQC网站“纪检监察”^[6]栏目查询具体途径。

CQC will adhere to the customer service concept of "integrity, innovation and attentive service", provide independent, fair, scientific and honest certification services, and "deliver trust and service development" to the society, striving to become a global trustworthy quality service organization. CQC and its staff promise to keep confidential the state secrets and trade secrets they know. In the process of CQC's certification services, if the applicant needs to appeal, complain or raise disputes, please log in CQC website and put forward in written form to CQC according to the relevant requirements listed in "complaint supervision" under the column of "business online". If there is any report, complaint and appeal against the discipline violations of CQC and its departments, sub centers, CQC self-built laboratories, affiliated economic entities and other units and personnel, or any criticism, suggestion and inquiry about the party discipline, party work style, political discipline and clean government work, you can report to the CQC discipline inspection and supervision department, please query the specific ways through the 'discipline inspection and supervision' column on the CQC website.

认证委托人授权签章

Applicant (signature and seal)

(签字人为法定代表人或授权委托人)

(The signatory shall be the legal representative or the delegator)

年/Year 月/Month 日/Date



[1] 认证对象指：1) 接受认证的法律主体；2) 接受认证的产品。

Certification object refers to: 1) legal subject accepting certification; 2) product accepting certification.

[2] 详见CQC官方网站www.cqc.com.cn，访问路径：首页>>产品认证登陆，链接：中国质量认证中心产品认证业务在线申办系统。

See CQC official website www.cqc.com.cn for details. Access path: Home Page>>Product Certification Log in, link: China Quality Certification Centre Online Application System for Product Certification.

[3] 详见CQC官方网站：www.cqc.com.cn，访问路径：首页>>业务在线>>收费公示，链接：收费公示。See CQC official website www.cqc.com.cn for details. Access path: home page>>online business>> notice of fees, link: notice of fees.

[4] 详见CQC官方网站：www.cqc.com.cn，访问路径：首页>>业务在线>>CCC标志申办，链接：CCC标志申办。See CQC official website www.cqc.com.cn for details. Access path: Home page>>Online Business>>Apply for CCC Mark, link: Apply for CCC Mark.

[5] 详见CQC官方网站，访问路径：首页>>业务在线>>公开文件>>投诉监督，链接：投诉监督。

See CQC official website www.cqc.com.cn for details. Access path: Home page>>Online Business>>Files>>Complains and Supervision, link: Complains and Supervision.

[6] 详见CQC官方网站, 访问路径: 首页>>机构动态>>专栏区>>纪检监察, 链接: 纪检监察 See CQC official website www.cqc.com.cn for details. Access path: Home page>>Organization>>Colum>>Discipline Inspection and Supervision.

单元内产品差异描述表

申请编号：V2025CQC107303-1384478（CQC22107334394）

基本型型号：DZ16251510101

序号	型 号	差异描述	备 注
1	DZ16251510115	基础上更换面料	主料 2407-20 辅料 2407-21 辅料 2407-22 辅料 0346
2	DZ16251510117	在基础型号上增加通风功能；更换面料；	主料 2407-20 辅料 2407-21 辅料 2407-22 辅料 0346
3	DZ16251510118	在基础型号上增加加热功能；更换面料；	主料 2407-20 辅料 2407-21 辅料 2407-22 辅料 0346
4	DZ16251510119	在基础型号上增加通风、加热功能；更换面料；	主料 2407-20 辅料 2407-21 辅料 2407-22 辅料 0346
5	DZ16251510121	在基础型号上增加尺寸，避免与举升阀干涉；	主料 SG-3JB01-A01 辅料 SG-3JD02-A01
6	DZ16251510122	在基础型号上取消右侧手阀支架	主料 SG-3JB01-A01 辅料 SG-3JD02-A01

7	DZ16251510120	基础上增加通风加热功能、更换面料、取消右侧手阀支架	主料: 1019 辅料: 1020
8	DZ16251510123	基础上增加通风功能、更换面料、取消右侧手阀支架	主料: 1019 辅料: 1020
9	DZ16251510124	基础上增加加热功能、更换面料、取消右侧手阀支架	主料: 1019 辅料: 1020
10	DZ15221512017	基础上增加通风功能, 取消扶手支架, 更换面料	主料: 1019 辅料 1:1055 辅料 2:1021
11	DZ15221512012	基础上取消手阀支架、增加通风加热功能、更换面料	主料: 1019 辅料 1:1055 辅料 2:1021
12	DZ15221512016	基础上取消手阀支架、更换面料	主料: 1019 辅料 1:1055 辅料 2:1021
13	DZ15221512018	基础上增加加热功能, 取消手阀支架, 更换面料	主料: 1019 辅料 1:1055 辅料 2:1021
14	DZ16251510128	基础型号上取消右侧手阀支架、更换面料	主料 2407-20 辅料 2407-21 辅料 2407-22 辅料 0346
15	DZ16251510131	基础型号上取消右侧手阀支架, 增加通风加热功能, 更换面料	主料 2407-20 辅料 2407-21 辅料 2407-22 辅料 0346



(Handwritten signature)

汽车座椅及汽车座椅头枕强制性认证产品描述

申请编号: V2025CQC107303-1384478 (CQC22107334394)

概述: 产品为 X5000S 车型驾驶员座椅, 其中典型产品为驾驶员座椅及头枕总成 DZ16251510101, 此单元包括 DZ16251510115、DZ16251510117、DZ16251510118、DZ16251510119、DZ16251510121、DZ16251510122、DZ16251510120、DZ16251510123、DZ16251510124、DZ15221512017、DZ15221512012、DZ15221512016、DZ15221512018、DZ16251510128、DZ16251510131 共计 15 种非典型性产品, 具体差异见差异性描述表。

样品照片 (正面、侧面、背面照片)

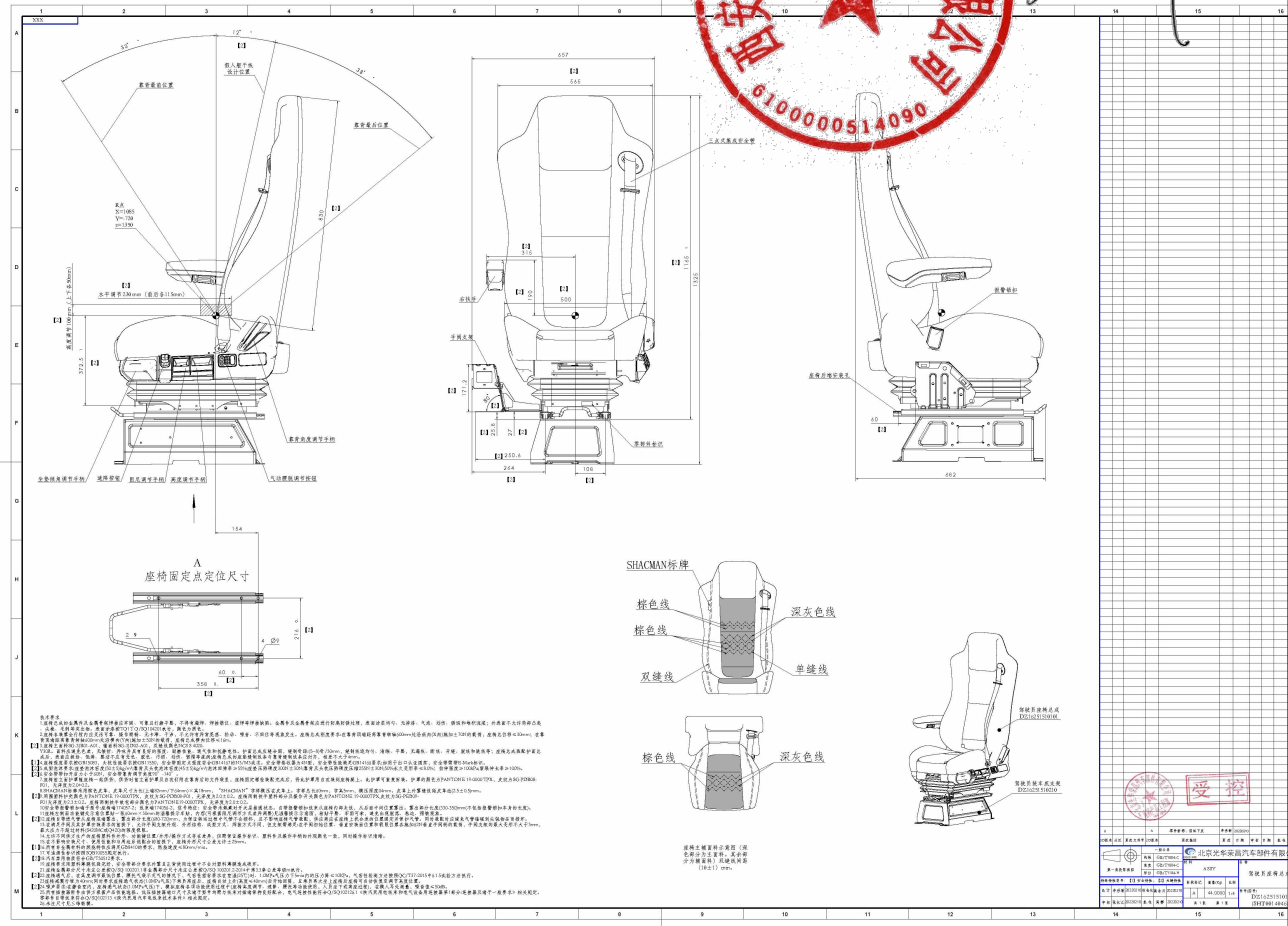


汽车座椅及汽车座椅头枕单元结构、总成示意图:

- 1、产品名称: 驾驶员座椅总成 产品型号: DZ16251510101
- 差异描述: 基础型号

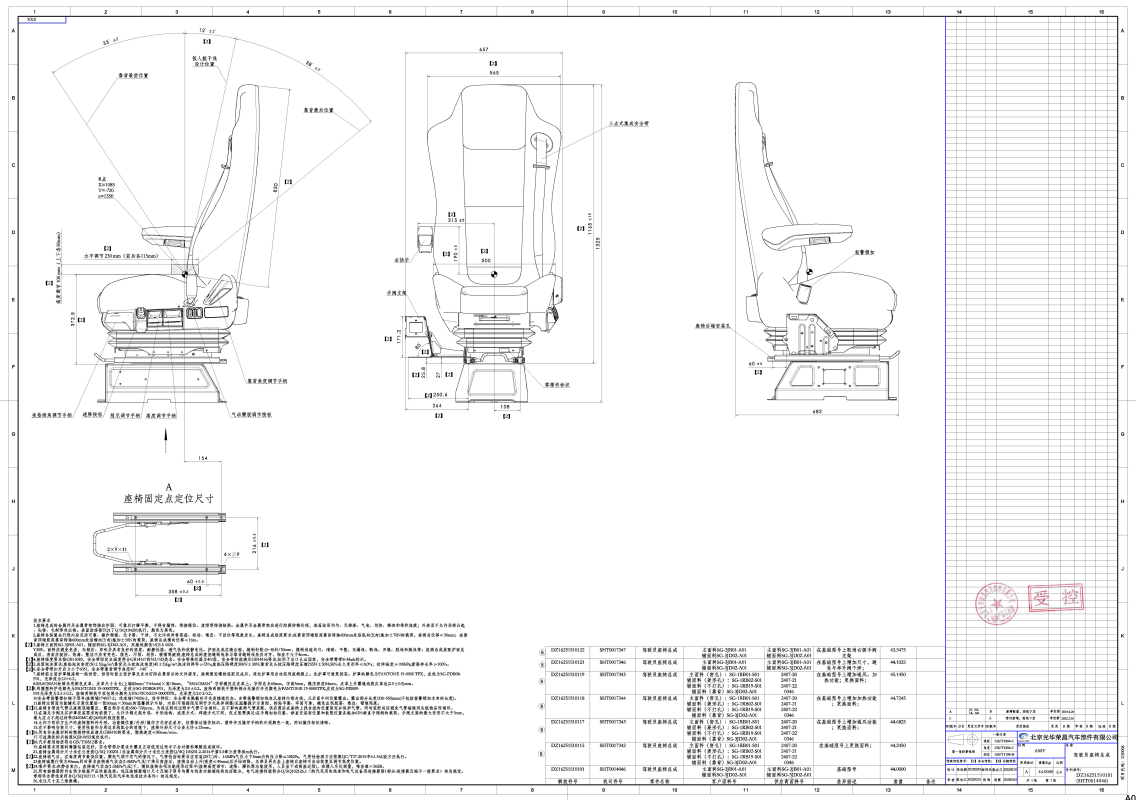


Handwritten signature in black ink.

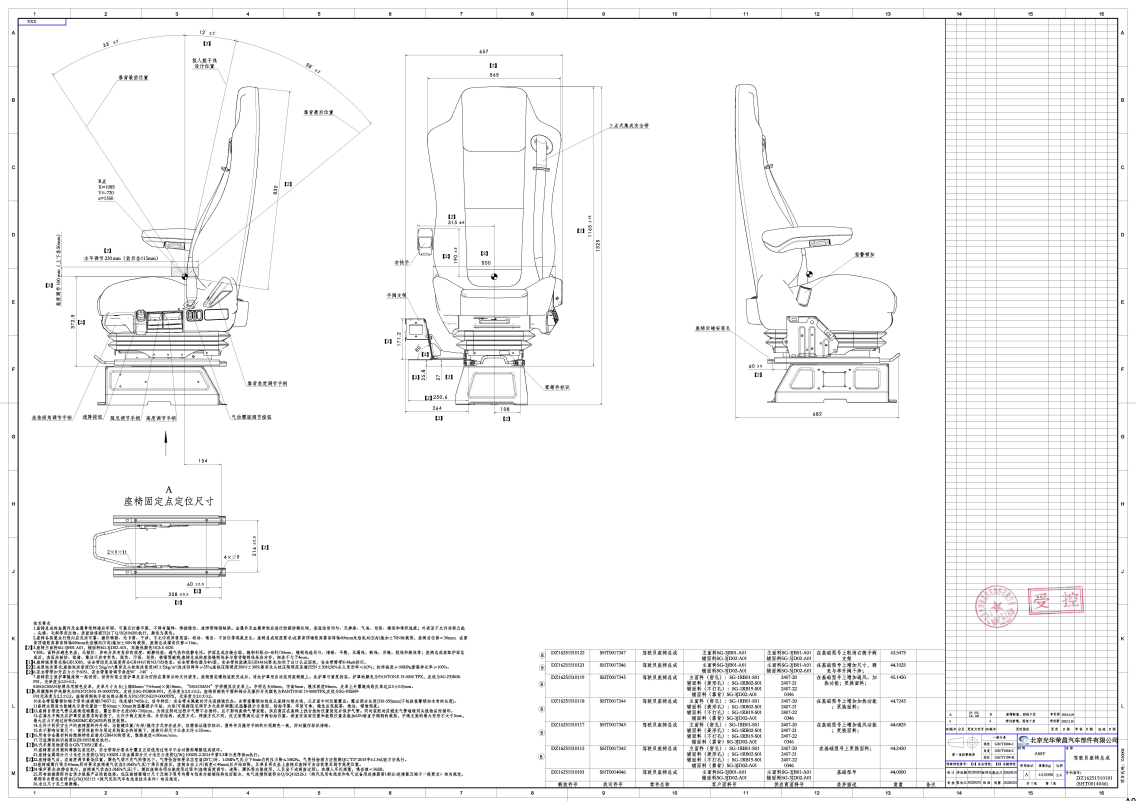


产品名称	驾驶员座椅总成	产品型号	DZ16251510101
生产厂商	光华莱昌汽车零部件有限公司	生产地址	山东省潍坊市寿光市
认证标准	GB 14023-2011	认证机构	中国质量认证中心
认证日期	2025-03-10	有效期至	2028-03-10
备注	本证书的有效性依赖于获证企业持续符合认证标准的要求。		

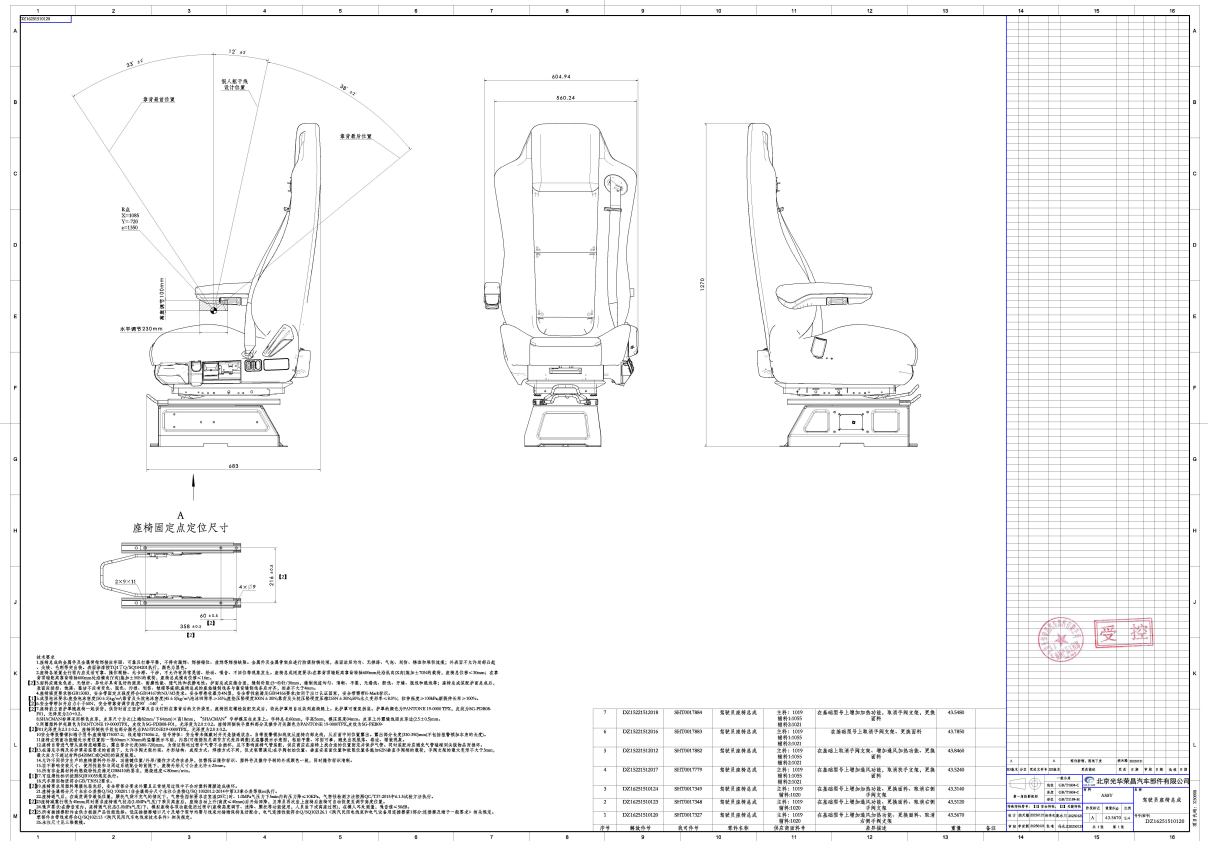
2、产品名称：驾驶员座椅总成 产品型号：DZ16251510115
 差异描述：在基础型号上更换面料



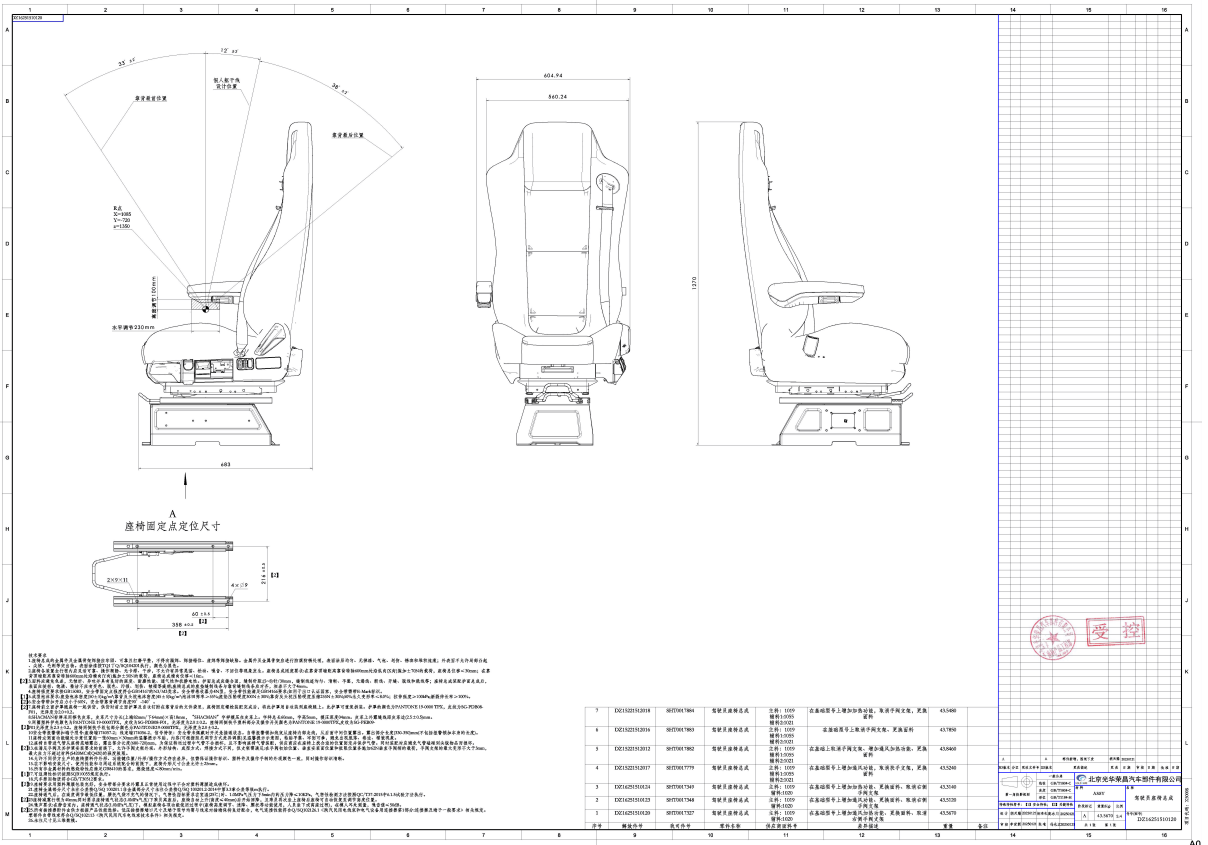
3、产品名称：驾驶员座椅总成 产品型号：DZ16251510117
 差异描述：在基础型号上增加通风功能；更换面料；



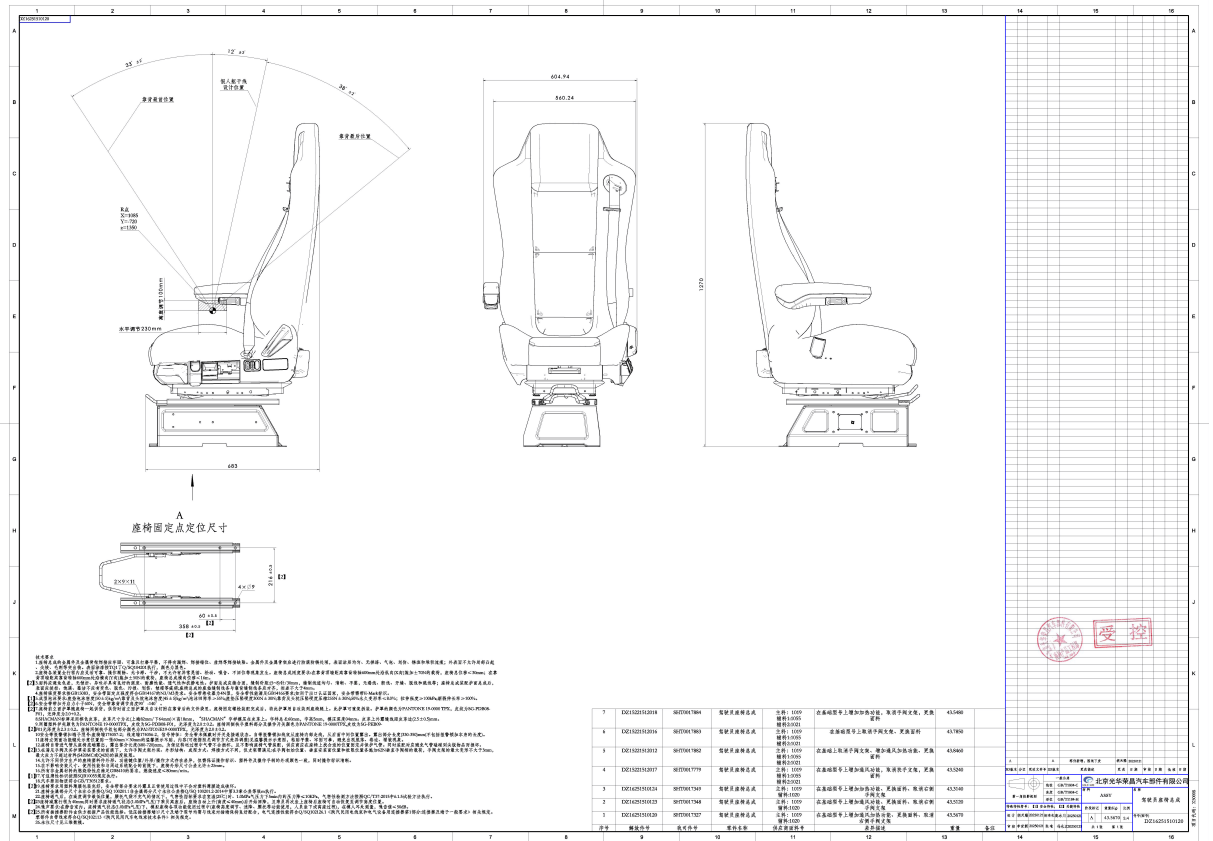
8、产品名称：驾驶员座椅总成 产品型号：DZ16251510120
 差异描述：基础上增加通风加热功能、更换面料、取消右侧手阀支架



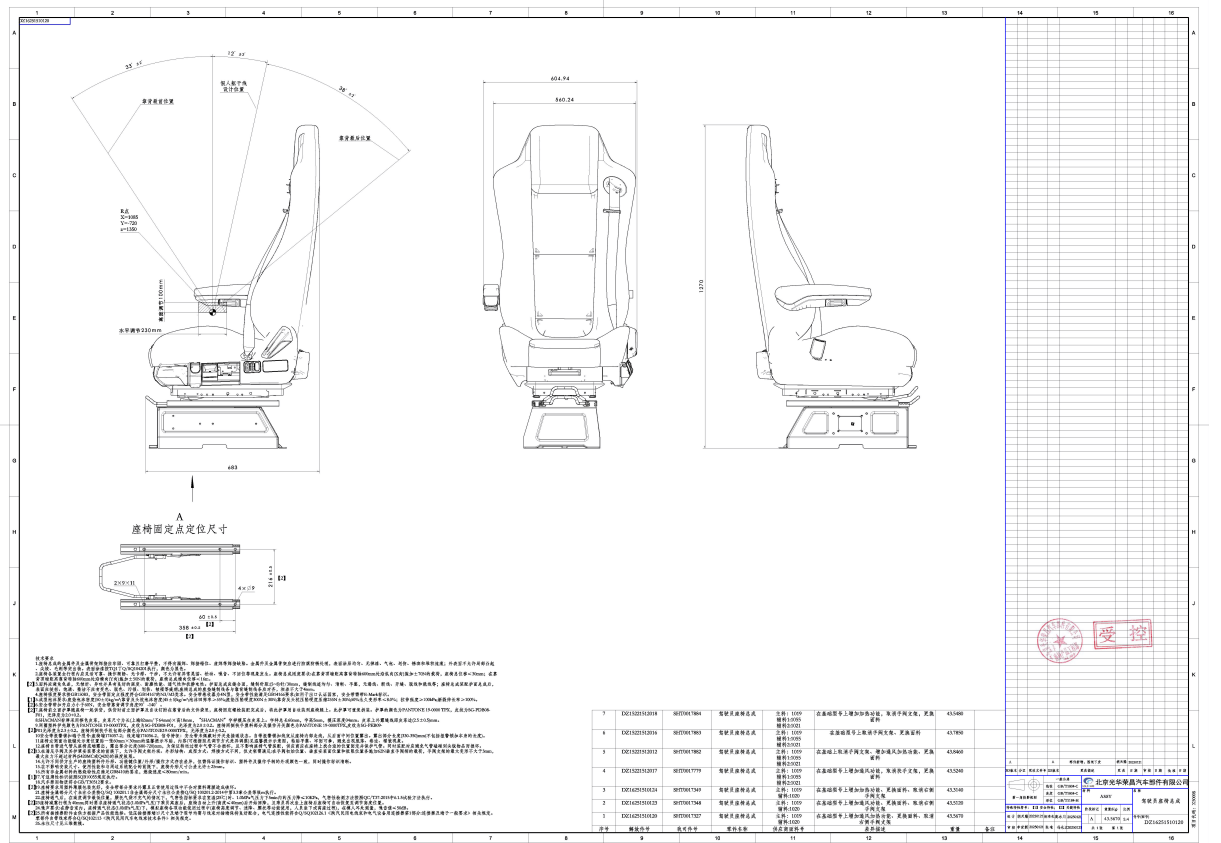
9、产品名称：驾驶员座椅总成 产品型号：DZ16251510123
 差异描述：基础上增加通风功能、更换面料、取消右侧手阀支架



10、产品名称：驾驶员座椅总成 产品型号：DZ16251510124
 差异描述：基础上增加加热功能、更换面料、取消右侧手阀支架

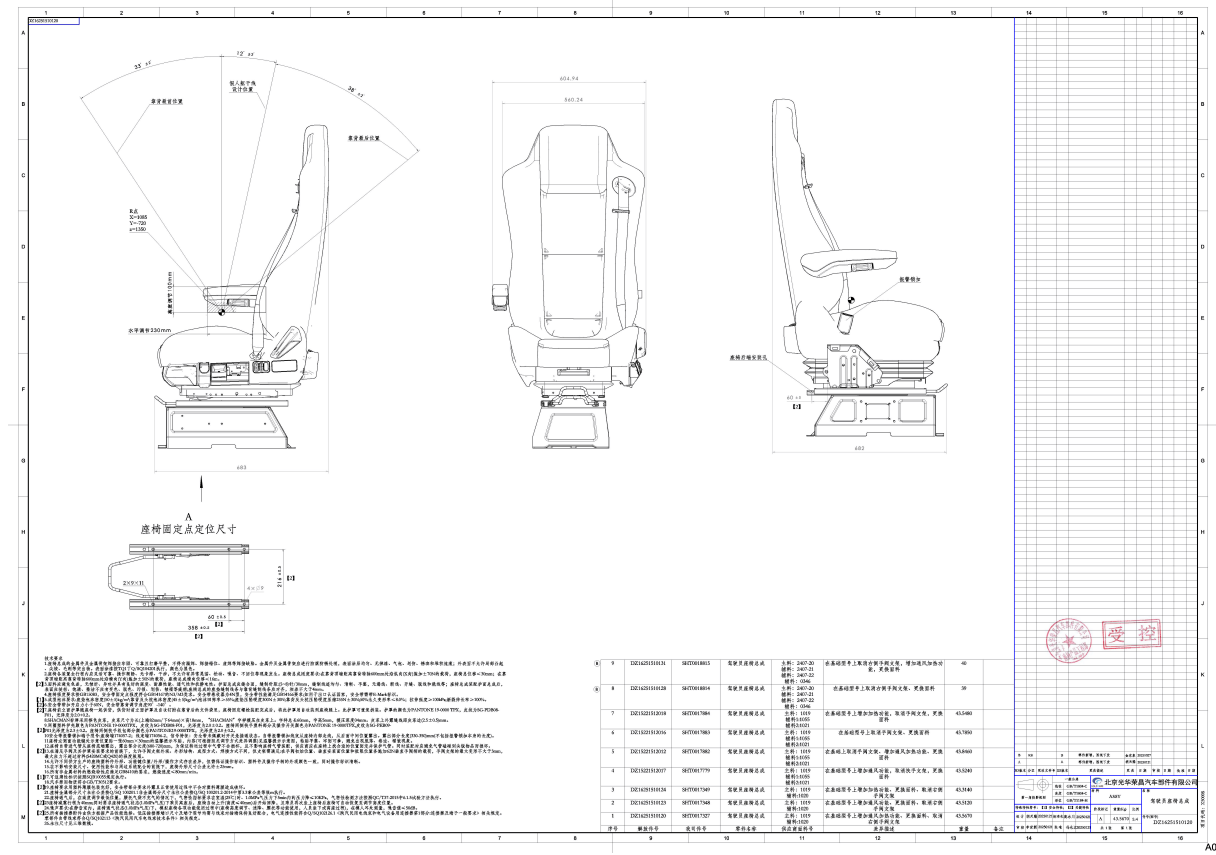


11、产品名称：驾驶员座椅总成 产品型号：DZ15221512017
 差异描述：基础上增加通风功能，取消扶手支架，更换面料



16、产品名称：驾驶员座椅总成 产品型号：DZ16251510131

差异描述：基础型号上取消右侧手阀支架，增加通风加热功能，更换面料



- 1. 产品商标 : --
- 2. 产品型号 : **DZ16251510101**
- 3. 结构型式 : 固定 可调
- 4. 靠背设计角度 : **12°**
- 5. 座椅总成重量 kg : **44**
- 6. 靠背重量（带头枕）kg : **6.5**
- 7. 座椅总成的功能 : 手动座椅 电动座椅 记忆座椅 翻转座椅 移动座椅 折叠座椅 其它:
- 8. 结构特征(允许结构对称) : 前排座椅 后排座椅 中排座椅 单个座椅 长条座椅 整体座椅 分体座椅 普通座椅 运动座椅 其它:
- 9. 座垫骨架总成 : 纵向位移 垂直位移 固定装置 锁止装置 加热装置 按摩装置 其它
- 10. 靠背骨架总成 : 角位移 腰椎支撑 固定装置 锁止装置

气囊装置 加热装置 按摩装置 头枕装置

其它:

11. 座椅软垫 (允许外形不同) : 材料: 靠背坐垫均为聚氨酯发泡
12. 座椅护面 : 允许尺寸、材料和颜色不同。
材料 : 主面料: SG-3JB01-A01 辅面料: SG-3JD02-A01
13. 座椅护板 : 允许尺寸、材料和颜色不同。
材料 : PP-TP15
颜色 : 深灰
14. 座椅头枕 : 空心 实心 其它
15. 座椅头枕骨架 : 角位移 垂直位移 固定装置 锁止装置
16. 座椅头枕软垫 (允许外形不同) : 材料: 聚氨酯发泡
17. 座椅头枕护面 : 允许尺寸、材料和颜色不同。
材料 : 面料: SG-3JD02-A01

图纸及技术资料

- 1 座椅总成的外形尺寸; 657*682*1325mm
- 2 座椅总成的 R 点坐标及在车辆上的安装位置; (1085, -720, 1350)、前排左侧
- 3 座椅骨架总成的单元材料的简要技术说明书: 牌号、供应商、供应商质保书;

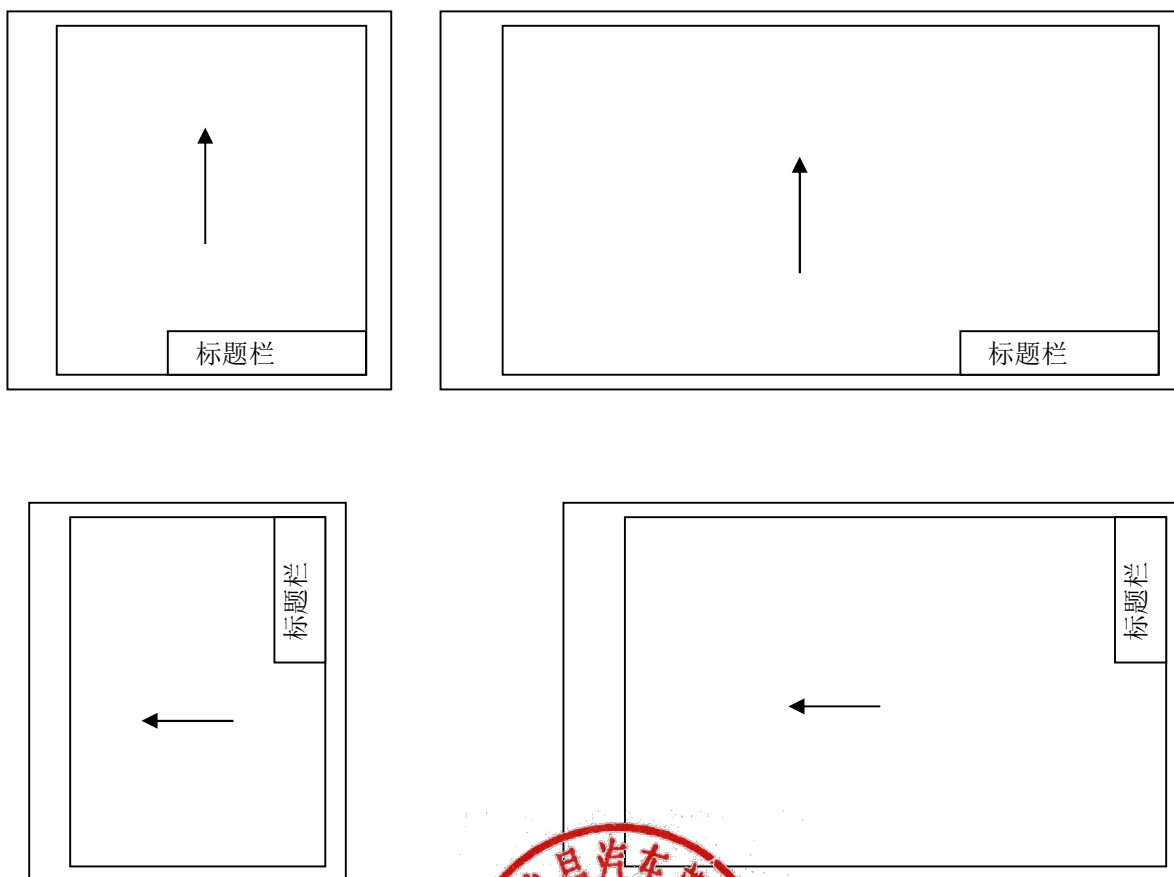
(1) 牌号: Q235 供应商: 河钢股份有限公司承德分公司

《汽车座椅及汽车座椅头枕产品》申报 CQC 认证图样要求

一 图样格式

- 1 图纸幅面：A4 或叠成 A4（最大不超过 A3）
- 2 图框规格：按有关制图国家标准的规定，留装订边。
- 3 标题栏的位置

3.1 标题栏位于图样的右下角，如下图所示：



3.2 标题栏的内容应包括零件号、零件名称、材料、材料规格及技术要求等产品特征描述。



关键零部件/原材料登记表

申请编号: V2025CQC107303-1384478 (CQC22107334394)

零部件或原材料名称	型号规格	商标	生产单位	CCC 证书号
底支架焊接总成	SHT0014197	N/A	湖北伟士通汽车零件有限公司	N/A
座框减震器总成	SHT0014202	N/A	河北光华荣昌汽车部件有限公司	N/A
驾驶员滑轨总成	SHT0014052 SHT0014733	N/A	南皮县利辉五金插件件厂 江苏力乐汽车部件有限公司 常州华阳万联汽车附件有限公司	N/A
驾驶员座盆	SHT0012178	N/A	黄骅市长生汽车灯镜有限公司 湖北伟士通汽车零件有限公司	N/A
主边调角器(右)	SHT0013338	N/A	文安县德实汽车配件有限公司 江苏力乐汽车部件股份有限公司	N/A
调角器副边(左)	SQXM3000-6805540	N/A	河北光华荣昌汽车部件有限公司	N/A
靠背骨架焊接总成	SHT0012940	N/A	河北光华荣昌汽车部件有限公司 湖北伟士通汽车零件有限公司	N/A
发泡料	黑料 MDI-S3815 白料 330N/3600 3630/9328	N/A	发泡: 西安光华荣昌汽车部件有限公司 原材料: 万华化学(烟台)销售有限公司 天津远丰化工产品贸易有限公司 大连浩煜新材料科技有限公司	N/A
面料	主料 SG-3JB01-A01 辅料 SG-3JD02-A01	N/A	面料: 森织汽车内饰(武汉)有限公司 面套: 河北光华荣昌汽车部件有限公司 湘乡简美新材料科技有限公司 山东金达汽车部件制造股份有限公司	N/A
	主料 2407-20 辅料 2407-21 辅料 2407-22 辅料 0346	N/A	面料: 诸城恒信新材料科技有限公司 面套: 河北光华荣昌汽车部件有限公司 湘乡简美新材料科技有限公司 山东金达汽车部件制造股份有限公司	N/A
	主料: 1019 辅料: 1020	N/A	面料: 诸城恒信新材料科技有限公司 面套: 河北光华荣昌汽车部件有限公司 湘乡简美新材料科技有限公司 山东金达汽车部件制造股份有限公司	N/A
	主料: 1019 辅料 1:1055 辅料 2:1021	N/A		N/A
安全带总成 安全带锁扣总成	KS28AM.175 KS28AM.109 DN-A	N/A	生产者: 泉州市福兴塑料五金有限公司 生产企业: 泉州国胜汽车部件实业有限公司 江苏新达能汽车部件有限公司	2020981104000398 2020981104000399 2020981104000275
调角器左罩壳	SHT0011971	N/A	河北光华荣昌汽车部件有限公司 黄骅市雍丰塑料制品有限公司 西安海容塑料制品有限责任公司	N/A
调角器右罩壳	SHT0011961	N/A	河北光华荣昌汽车部件有限公司 黄骅市雍丰塑料制品有限公司 西安海容塑料制品有限责任公司	N/A
座垫前部罩壳	SHT0011962	N/A	河北光华荣昌汽车部件有限公司 黄骅市雍丰塑料制品有限公司 西安海容塑料制品有限责任公司	N/A

座垫后部罩壳	SHT0011963	N/A	河北光华荣昌汽车部件有限公司 黄骅市雍丰塑料制品有限公司 西安海容塑料制品有限责任公司	N/A
--------	------------	-----	---	-----

注意事项：

1. 每个单元（申请号）填写一份关键零部件登记表。
2. 对于表中不适用的项统一填写 N/A。
3. 生产单位项应填写零部件生产单位全称。
4. 关键零部件或原材料的种类见对应的强制性产品认证实施规则的附件 1。
5. CCC 证书号用于已 CCC 认证（含标志认证）的零部件 N/A 原材料。



A handwritten signature in black ink, appearing to be "李强" (Li Qiang).

强制性认证产品符合性自我声明



自我声明编号: 2020981104000398

泉州市福兴塑料五金有限公司(生产者) 确认知晓《强制性产品认证自我声明实施规则》以及相关产品强制性认证实施规则的要求, 对本声明承担全部法律责任。

泉州市福兴塑料五金有限公司(生产者) 声明以下产品已按照《强制性产品认证自我声明实施规则》以及相关产品强制性认证实施规则的要求进行检测, 符合相关标准要求; 自本声明签署之日起, 生产和销售的产品持续符合以下标准与实施规则的要求; 保存本声明涉及的技术文档至少10年; 正确使用强制性产品认证标志; 如产品或其符合性信息发生变更, 将及时更新技术文档并报送产品变更信息。

生产者名称: 泉州市福兴塑料五金有限公司
生产者地址: 福建省泉州市鲤城区泉州市浮桥王宫工业区国胜大厦
依据的强制性产品认证规则: CNCA-C11-04:2014 汽车安全带

序号	产品名称	产品系列、型号、规格	依据的标准
1	汽车安全带	详见附件	GB 14166-2013;GB 8410-2006
2	汽车安全带	详见附件	GB 14166-2013;GB 8410-2006

序号	生产企业名称	生产企业地址
1	泉州国胜汽车部件实业有限公司	福建省泉州市浮桥王宫工业区国胜大厦
2	泉州国胜汽车部件实业有限公司	福建省泉州市浮桥王宫工业区国胜大厦



联系人: 傅佩怡
电话: 0595-22484621
电子邮箱: qz-ks@qq.com

指定签字人:

自我声明时间: 2020-07-28
自我声明地点:

生产者签章:



注: 有关本声明信息真伪可登录全国认证认可信息公共服务平台 (cx.cnca.cn) 或扫描右上角二维码查询。

强制性认证产品符合性自我声明(附页)



自我声明编号: 2020981104000398

产品系列、型号、规格(附件):

规格型号: 三点紧急锁止式

汽车安全带 KS28.52 (5810100-03, 5810100-04, 5810200-03, 5810200-04, 5810100-02, 5810200-02, 5810100-01, 5810200-01, 5810110-01, 5810110-02, 5810210-01, 5810210-02, 5812110-05, 5812210-05, 5813100-02, 5813100-03); 汽车安全带 KS28.87 (M21-5811100-G00, M21-5811200-G00, M21-5811300-G00, M21-5811400-G00, M21-5813300-G00, M21-5812300-G00, M21-5812400-G00, M22-5813400-G00, M22-5813500-G00, M22-5813600-G00); 汽车安全带 KS28AM.175 (CFA6442A, M51-8205015, LG1611560010, LG1611560020, 1B24982200004, 1B24982200003, 1J17282200009, LG1617560010, LG1617560020, LG1611560110, SQX3000-6802951, SQX3000-6802950, SQX3000-6902951, SQX3000-6902950, LG1641560010, LG1641560020, LG1641562010, LG1641562020); 汽车安全带 KS28.90 (8212010-E05, 8212015-50, 8212015-A17, 8212015-A20, 8212015-D848, 8212015-E28, 8212015-Q858, 8212020-A17, 8212020-A20, 8212025-A20, 8212025-D848, 8212025-Q858, 8212031-Q50, 8212032-Q50, 8212035-A17, 8212035-E06J); 汽车安全带 KS28.98 (T-3 81.62305.6247, DZ1600560010, DZ15221560011, ZM1600511996, ZM1600511997) (以下空白)

联系人: 傅佩怡
电话: 0595-22484621
电子邮箱: qz-ks@qq.com

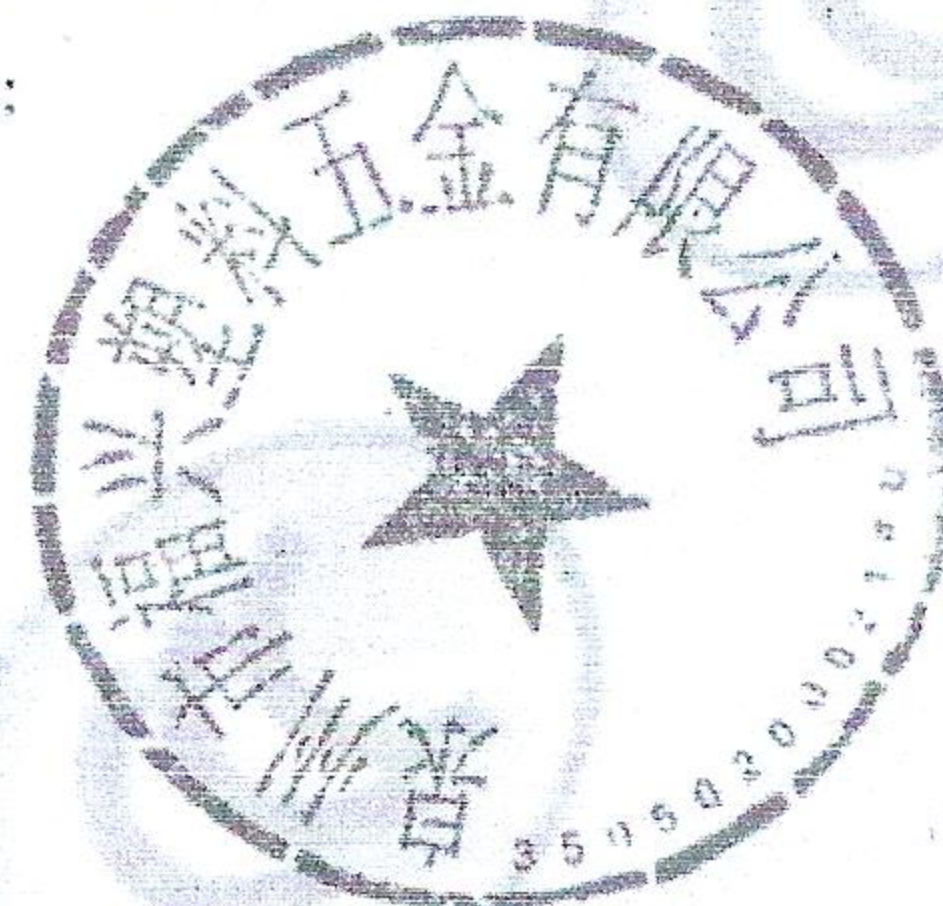
指定签字人:

傅佩怡

自我声明时间: 2020-07-28

自我声明地点:

生产者签章:



注: 有关本声明信息真伪可登录全国认证认可信息公共服务平台 (cx.cnca.cn) 或扫描右上角二维码查询。

强制性认证产品符合性自我声明(附页)



自我声明编号: 2020981104000398

产品系列、型号、规格(附件):

Model and Specification: 三点紧急锁止式

汽车安全带 KS28.52 (5810100-03, 5810100-04, 5810200-03, 5810200-04, 5810100-02, 5810200-02, 5810100-01, 5810200-01, 5810110-01, 5810110-02, 5810210-01, 5810210-02, 5812110-05, 5812210-05, 5813100-02, 5813100-03); 汽车安全带 KS28.87 (M21-5811100-G00, M21-5811200-G00, M21-5811300-G00, M21-5811400-G00, M21-5813300-G00, M21-5812300-G00, M21-5812400-G00, M22-5813400-G00, M22-5813500-G00, M22-5813600-G00); 汽车安全带 KS28AM.175 (CFA6442A, M51-8205015, LG1611560010, LG1611560020, 1B24982200004, 1B24982200003, 1J17282200009, LG1617560010, LG1617560020, LG1611560110, SQX3000-6802951, SQX3000-6802950, SQX3000-6902951, SQX3000-6902950, LG1641560010, LG1641560020, LG1641562010, LG1641562020); 汽车安全带 KS28.90 (8212010-E05, 8212015-50, 8212015-A17, 8212015-A20, 8212015-D848, 8212015-E28, 8212015-Q858, 8212020-A17, 8212020-A20, 8212025-A20, 8212025-D848, 8212025-Q858, 8212031-Q50, 8212032-Q50, 8212035-A17, 8212035-E06J); 汽车安全带 KS28.98 (T-3 81.62305.6247, DZ1600560010, DZ15221560011, ZM1600511996, ZM1600511997) *****

联系人: 傅佩怡
电话: 0595-22484621
电子邮箱: qz-ks@qq.com
指定签字人:

傅佩怡

自我声明时间: 2020-07-25

自我声明地点:

生产者签章:



注: 有关本声明信息真伪可登录全国认证认可信息公共服务平台 (cx.cnca.cn) 或扫描右上角二维码查询。

强制性认证产品符合性自我声明



自我声明编号：2020981104000399

泉州市福兴塑料五金有限公司（生产者）确认知晓《强制性产品认证自我声明实施规则》以及相关产品强制性认证实施规则的要求，对本声明承担全部法律责任。

泉州市福兴塑料五金有限公司（生产者）声明以下产品已按照《强制性产品认证自我声明实施规则》以及相关产品强制性认证实施规则的要求进行检测，符合相关标准要求；自本声明签署之日起，生产和销售的产品持续符合以下标准与实施规则的要求；保存本声明涉及的技术文档至少10年；正确使用强制性产品认证标志；如产品或其符合性信息发生变更，将及时更新技术文档并报送产品变更信息。

生产者名称：泉州市福兴塑料五金有限公司
生产者地址：福建省泉州市鲤城区泉州市浮桥王宫工业区国胜大厦
依据的强制性产品认证规则：CNCA-00C-008：2019 强制性产品认证实施规则自我声明
产品名称：汽车安全带
产品系列、型号、规格：详见附件
依据的标准：GB 14166-2013;GB 8410-2006
生产企业名称：泉州国胜汽车部件实业有限公司
生产企业地址：福建省泉州市浮桥王宫工业区国胜大厦

联系人：傅佩怡
电话：0595-22484621
电子邮箱：qz-ks@qq.com
指定签字人：



傅佩怡

自我声明时间：2021-07-23

自我声明地点：

生产者签章：



注：有关本声明信息真伪可登录全国认证认可信息公共服务平台（cx.cnca.cn）或扫描右上角二维码查询。

强制性认证产品符合性自我声明(附页)



自我声明编号: 2020981104000399

产品系列、型号、规格(附件):

二点紧急锁止式汽车安全带 KS28 168 : WG1642560010, WG1642560012, 1B14882200017, 1B14882200027, 1B14882200031, 1B14882200041, 84901-C3001, 84902-C3001, 84910-C3001, 84940-C3400, 1B14882200121, 1B14882200117, 1B14882200119, 1B14882200120, 1B14882200122, 1B14882200123, 1B14882200124, 1B14882200125, L0822010805A0, L0822010806A0, L0822010904A0, L0822010905A0 ;

二点紧急锁止式汽车安全带 KS28AM 109 : WG1664560010, WG1664560030, 712W62305-6329, 712W62305-6330, 810W62305-0053, 810W62305-6263, 8212A101-Y17Z, 8212A51-070C-Y17Z, WG1682560001, WG1682560002, 1J172B2200002, 1J172B2200018, L0822020104A0, L0822010041A0, L0822014004A0, C00129093-Y17Z, C00138691-Y17Z, 1B18382203002, 1B16282200001, 1B16282200002, 8212A51-080-Y17Z, L0822020002A0, L0822010016A0, L0822020102A0, L0822020200A0, L0822020108A0, 8212A51-070-Y17Z, N600035504-CN501, N600035506-CN501, L0822010047A0, C00152932, WG1664560050, WG1664560051, XZ1662512354, XZ1662512355, WG1664560120, L082200000047, L082200000060, 8212020-H08-C00, 8212025-B45-C00, 8212025-H02-C00, 8212030-B45-C00, 8212025-D19-C00, 8212025AD19-C00, 8212025-H08-C00, 8212025AH08-C00, 8212010-D19-C00, 8212025AB45-C00, 8212035AB45-C00, 8212035-B45-C00, 8212025AH02-C00, 8212015AB45, 8212020-B45, 8212015-B45, WG1664560090, WG1664560091, XZ1662512343, L082200000069, L082200000071, XZ1662512417, XZ1662512354, XZ1662512355, XZ1662512440, XZ1662512441, 8212035-E408D, 8212025AH55-C00, 8212030AH55-C00, XZ1662512417, XZ1662512440, XZ1662512441, XZ1662512534, XZ1662512535, SOX3000-6802951, SOX3000-6902951, SHT0013504, SHT0013505, SHT0012429, SHT0012431, SHT0013431, SHT0013432, SHT0012430, SHT0012428, 8212025-H11-C00 ;

二点紧急锁止式汽车安全带 KS28.40 : 1B169822200033, 1B169822200030, 1B169822200022, 1B178822300033, 1B178822300030, 1B17082200011, 1B16082200011, 1B17882200009, 1B17882200012, L0822010022A0, L0822010021A0, L0822010025A0, L0822010046A0, L0822010047A0, L0822010028A0, L082200000053, L082200000052, L082200000045, L082200000046, L082200000067, L082200000068, L082200000070 ;

联系人:
电话:
电子邮箱:
指定签字人:



傅佩怡
0595-22484621
qz-ks@qq.com

傅佩怡

自我声明时间: 2021-07-23
自我声明地点:
生产者签章:

注: 有关本声明信息真伪可登录全国认证认可信息公共服务平台 (cx.cnca.cn) 或扫描右上角二维码查询。

强制性认证产品符合性自我声明(附页)



自我声明编号: 2020981104000399

产品系列、型号、规格(附件):

点系急用式汽车安全带 KS28 168 : WG1642560010, WG1642560012, 1B14882200017, 1B14882200027, 1B14882200031, 1B14882200041, 84901-C3001, 84902-C3001, 84910-C3001, 84940-C3400, 1B14882200121, 1B14882200117, 1B14882200119, 1B14882200120, 1B14882200122, 1B14882200123, 1B14882200124, 1B14882200125, L0822010805A0, L0822010806A0, L0822010904A0, L0822010905A0 ;
点系急用式汽车安全带 KS28AM 109 : WG1664560010, WG1664560030, 712W62305-6329, 712W62305-6330, 810W62305-0053, 810W62305-6263, 8212A101-Y17Z, 8212A51-070C-Y17Z, WG1682560001, WG1682560002, 1J17282200002, 1J17282200018, L0822020104A0, L0822010041A0, L0822014004A0, C00129093-Y17Z, C00138691-Y17Z, 1B18382203002, 1B16282200001, 1B16282200002, 8212A51-080-Y17Z, L0822020002A0, L0822010016A0, L0822020102A0, L0822020200A0, L0822020108A0, 8212A51-070-Y17Z, N600035504-CN501, N600035506-CN501, L0822010047A0, C00152932, WG1664560050, WG1664560051, XZ1662512354, XZ1662512355, WG1664560120, L082200000047, L082200000060, 8212020-H08-C00, 8212025-B45-C00, 8212025-H02-C00, 8212030-B45-C00, 8212025-D19-C00, 8212025AD19-C00, 8212025-H08-C00, 8212025AH08-C00, 8212010-D19-C00, 8212025AB45-C00, 8212035AB45-C00, 8212035-B45-C00, 8212025AH02-C00, 8212015AB45, 8212020-B45, 8212015-B45, WG1664560090, WG1664560091, XZ1662512343, L082200000069, L082200000071, XZ1662512417, XZ1662512354, XZ1662512355, XZ1662512440, XZ1662512441, 8212035-E408D, 8212025AH55-C00, 8212030AH55-C00, XZ1662512417, XZ1662512440, XZ1662512441, XZ1662512534, XZ1662512535, SQX3000-6802951, SQX3000-6902951, SHT0013504, SHT0013505, SHT0012429, SHT0012431, SHT0013431, SHT0013432, SHT0012430, SHT0012428, 8212025-H11-C00 ;
点系急用式汽车安全带 KS28 48 : 1B169822200033, 1B169822200030, 1B169822200022, 1B178822300033, 1B178822300030, 1B17082200011, 1B18082200011, 1B17882200009, 1B17882200012, L0822010022A0, L0822010021A0, L0822010025A0, L0822010046A0, L0822010047A0, L0822010028A0, L082200000053, L082200000052, L082200000045, L082200000046, L082200000067, L082200000068, L082200000070 ;

联系人:
电话:
电子邮箱:
指定签字人:

傅佩怡
0595-22484621
qz-ks@qq.com



自我声明时间: 2021-07-23
自我声明地点:
生产者签章:

傅佩怡

注: 有关本声明信息真伪可登录全国认证认可信息公共服务平台 (cx.cnca.cn) 或扫描右上角二维码查询。

强制性认证产品符合性自我声明



自我声明编号：2020981104000275

江苏新达能汽车部件有限公司（生产者）确认知晓《强制性产品认证自我声明实施规则》以及相关产品强制性认证实施规则的要求，对本声明承担全部法律责任。

江苏新达能汽车部件有限公司（生产者）声明以下产品已按照《强制性产品认证自我声明实施规则》以及相关产品强制性认证实施规则的要求进行检测，符合相关标准要求；自本声明签署之日起，生产和销售的产品持续符合以下标准与实施规则的要求；保存本声明涉及的技术文档至少10年；正确使用强制性产品认证标志；如产品或其符合性信息发生变更，将及时更新技术文档并报送产品变更信息。

生产者名称：江苏新达能汽车部件有限公司
生产者地址：江苏省镇江市扬中市西来桥镇中心路10号
依据的强制性产品认证规则：CNCA-00C-008：2019 强制性产品认证实施规则自我声明
产品名称：汽车安全带
产品系列、型号、规格：DN-A 详见附件
依据的标准：GB 14166-2013;GB 8410-2006
生产企业名称：江苏新达能汽车部件有限公司
生产企业地址：江苏省扬中市西来桥镇中心路10号

联系人：陈金虎
电话：0511-88137730
电子邮箱：daneng@xindaneng.com
指定签字人：陈金虎

自我声明时间：2023-07-11

自我声明地点：

生产者签章：



注：有关本声明信息真伪可登录全国认证认可信息公共服务平台（cx.cnca.cn）或扫描右上角二维码查询。

强制性认证产品符合性自我声明(附页)



自我声明编号: 2020981104000275

产品系列、型号、规格(附件):

Model and Specification:
三爪式 4N 型 DN-A: W680200127, V6711-10010, E15558110037, E15558110008, 8212N03E03, 8212N04E03, 5812010-PB5, 5811010-DV01, A1765810001, 650303JNA002, 5810010-C6150, 5810015-C6150, 5810015-C6151, 5402040-C0100, 5402040-C1100, 5402040-C1150, 5810010-C0100, 5810010-C3100, 5810010-C3101, 5810010-C4351, 5810010-C5100, 5810015-C0103, 5810015-C4351, 5810015-C5100, 5810020-C5100, BZ10181560002, 941741-03, 941742-03, 941742-01, L0822010805A0, 1B18082200011, 1B14882200031, 1B16282200001, 1B16982200022, L0822014004A0, L0822020104A0, 1B16982220033, 1B16982220030, M4822010500A0, L1822010504A0, 8212010-A01, 8212010-A01-C00, 8212010-A86-C00, 485110-01, 485135-01, 485130-01, 8212015-M21-C00, 485177-01, 8212010-M21-C00, 485130-02, 485177-02, 8212010-M01-C00, DN-A (202), 5810015-C0100, 5810010-C0101, 5810015-C0101, 5810010-C0103, 5810010-C0105, 5810015-C0105, 5810010-C0106, 5810010-C0400, 5810015-C0400, 5810010-C0800, 5810015-C0800, 5810015-C4300, 5810010-C4350, 5810015-C4350, 5810015-C5101, 5810010-C6100, 5810015-C6100, 5810015-C6102, 5810010-C6400, HQ5810010-SQ01, 130907000495A, L0822010025A0, L0822010041A0, L0822010046A0, L0822010028A0, L0822010047A0, 1B14882200117, 1B14882200119, 1B14882200120, 1B14882200121, 1B14882200122, 1B14882200123, 1B14882200124, 1B14882200125, L0822018006A0, 1B14882200017, 1B16382203002, L0822020002A0, L0822020108A0, L08220000067, L08220000069, L08220000068, L08220000070, L08220000071, 5087152100, 5087252100, 90478320, 5810C010001, 5810C010002, W680300127, W680320127, T000001016, A15558100023, A15558100024, A15558100025, A15558100026, A15558100027, A15558100028, A21558110001, BY1T034A, BZ1T030A, AG1T053A, 5810010-C6200, 5810015-C6200, A190581100 (03040508070809), A150581000 (1213141617), E162581200 (03040508070809), E155581100 (001091011), A190581000 (03040508), A175581100 (0102030405), HQ5810010-SZJ01, DL997001C24, DL997001C28, DL1G8001C95, DL160015, DL160013, DL160015C28, DL997002C24, DL997002C28, W182200000001, W182200000003, 1508499, 10017400; 三爪式 4N 型 DN-A-Z: 904783(20212232425), 5810010-T9100, 5810015-T9100, 5810.01001.HF1, 115395-02, 485691-01, 485692-01, 941739-01, 941740-01, 941758-01, D01-5811100, 8205015A006, 8205015A007, HQ5810110-FE601, 5811110AF1, 5811120AF1, 10017401, 650301JDA001, 650301JUN002, EZ1A161561108, EZ1A161563102, EZ1A161564101, EZ1A161561100, EZ1A161563100, AOD165, AOD172, 8AOD169, 9900074748, 9900074749, 9900146078, 9900146079, 8205015A008, 8205015A009, H73-8205010, W18220000009, W18220000013, W18220000016, W18220000020, 115395-02, HQ5810010-SQ02, 5810015-C3200*****

联系人: 陈金虎
电话: 0511-88137730
电子邮箱: daneng@xindaneng.com
指定签字人:

自我声明时间: 2020-04-17
自我声明地点:
生产者签章:



注: 有关本声明信息真伪可登录全国认证认可信息公共服务平台 (cx.cnca.cn) 或扫描右上角二维码查询。

强制性认证产品符合性自我声明(附页)



自我声明编号: 2020981104000275

产品系列、型号、规格(附件):

规格型号:
二点式 4N 型 DN-A: W680200127, V6711-10010, E15558110007, E15558110008, 8212N030E03, 8212N040E03, 5812010-PB5, 5811010-DV01, A17658100001, 650303JNA002, 5810010-C8150, 5810015-C8150, 5810015-C8151, 5402040-C0100, 5402040-C1100, 5402040-C1150, 5810010-C0100, 5810010-C3100, 5810010-C3101, 5810010-C4351, 5810010-C5100, 5810015-C0103, 5810015-C4351, 5810015-C5100, 5810020-C5100, BZ10181560002, 941741-03, 941742-03, 941742-01, L0822010805A0, 1B18082200011, 1B14882200031, 1B16282200001, 1B16982220022, L0822014004A0, L0822020104A0, 1B16982220033, 1B16982220030, M4822010500A0, L1822010504A0, 8212010-A01, 8212010-A01-C00, 8212010-A88-C00, 485110-01, 485135-01, 485130-01, 8212015-M21-C00, 485177-01, 8212010-M21-C00, 485130-02, 485177-02, 8212010-A01-C00, DN-A (202), 5810015-C0100, 5810010-C0101, 5810015-C0101, 5810010-C0103, 5810010-C0105, 5810015-C0105, 5810010-C0105, 5810010-C0400, 5810015-C0400, 5810010-C0800, 5810015-C0800, 5810015-C4300, 5810010-C4350, 5810015-C4350, 5810015-C5101, 5810010-C6100, 5810015-C6100, 5810015-C6102, 5810010-C6400, HQ5810010-SQ01, 130907000495A, L0822010025A0, L0822010041A0, L0822010046A0, L0822010028A0, L0822010047A0, 1B14882200117, 1B14882200119, 1B14882200120, 1B14882200121, 1B14882200122, 1B14882200123, 1B14882200124, 1B14882200125, L0822018006A0, 1B14882200017, 1B18382200002, L0822020020A0, L0822020108A0, L082200000607, L08220000069, L08220000068, L08220000070, L08220000071, 5087152100, 5087252100, 90478320, 5810C010001, 5810C010002, W680300127, W680302127, T000001016, A15558100023, A15558100024, A15558100025, A15558100026, A15558100027, A15558100028, A21558110001, BY1T034A, BZ1T030A, AG1T053A, 5810010-C6200, 5810015-C6200, A190581100 (03040508070809), A150581000 (1213141617), E162581200 (03040508070809), E155581100 (00091011), A190581000 (03040506), A175581100 (0102030405), HQ5810010-SZJ01, DL997001C24, DL997001C28, DL168001C95, DL160015, DL160013, DL160015C28, DL997002C24, DL997002C26, W182200000001, W182200000003, 1508499, 10017400, 三点式 4N 型 DN-A-Z: 904783(202)122232425), 5810010-T9100, 5810015-T9100, 5810.01001.HF1, 115395-02, 485891-01, 485892-01, 941739-01, 941740-01, 941758-01, D01-5811100, 8205015A006, 8205015A007, HQ581010-FE501, 5811110AF1, 5811120AF1, 10017401, 650301JDA001, 650301JUN002, EZ1A1615631108, EZ1A161563102, EZ1A161564101, EZ1A161561100, EZ1A1615631100, AQD165, AQD172, 8AQD169, 9900074748, 9900074749, 9900146078, 9900146079, 8205015A008, 8205015A009, H73-8205010, W182200000009, W182200000013, W182200000016, W182200000020, 115395-02, HQ5810010-SQ02, 5810015-C3200 (以下空白)

联系人: 陈金虎
电话: 0511-88137730
电子邮箱: daneng@xindaneng.com
指定签字人:

自我声明时间: 2023-06-07
自我声明地点:
生产者签字:



注: 有关本声明信息真伪可登录全国认证认可信息公共服务平台 (cx.cnca.cn) 或扫描右上角二维码查询。