

**INFORMATION DOCUMENT**

**CONCERNING THE APPROVAL OF HEAD RESTRAINTS (HEADRESTS)  
WHETHER OR NOT INCORPORATED IN VEHICLE SEATS**

(ECE Regulation No. 25.04)

**MANUFACTURER** : BEIQI FOTON MOTOR CO., LTD.

**VEHICLE TYPE** : M4M

**INFORMATION No.** : M4M-R25-03

#

**APPLICATION HISTORY**

Update No.	Date of issue	Reason for update	Page(s) modified
00	May 11, 2016	Original Issue	--
01	December 10, 2017	Addition of new drawings of representative vehicle	6 - 7
02	September 10, 2024	1. Add new representative vehicle, commercial descriptions and new seat information. 2. Add a new address of assembly plant	Page 2,3,4,9-17,19,22,23,27,28,30,32,34,36,39
<b>03</b>	<b><u>Mar. 15<sup>th</sup>, 2025</u></b>	<b><u>1. Addition of new commercial name;</u></b> <b><u>2. Modification of means of identification of type;</u></b> <b><u>3. Addition of missing seat mass;</u></b> <b><u>4. Addition of missing technical description and drawings of seat type 6.</u></b>	<b><u>Page 1-6, 18-21, 31, 32, 33-36, 39, 42, 44</u></b>

#: Modification or Addition

@: Correction

**INDEX**

Section:	Page:	Subject:	Date:
0	3 - 4	<u>GENERAL</u>	<u>2025.03.15</u>
1	5	<u>GENERAL CONSTRUCTION CHARACTERISTICS OF THE VEHICLE</u>	<u>2025.03.15</u>
9	5 - 6	<u>BODYWORK</u>	<u>2025.03.15</u>

**LIST OF ATTACHMENTS**

Annex:	Page:	Subject:	Date:
A	7 - 19	<u>Drawings of representative vehicle</u>	<u>2025.03.15</u>
B	<u>20 - 21</u>	<u>Description of seats</u>	<u>2025.03.15</u>
	<u>22 - 32</u>	<u>Drawing of driver seat and co-driver seat anchorages</u>	<u>2025.03.15</u>
	<u>33 - 34</u>	<u>Drawing of frame and padding of driver seat</u>	<u>2025.03.15</u>
	<u>35 - 36</u>	<u>Drawing of frame and padding of co-driver seat</u>	<u>2025.03.15</u>
	<u>37 - 42</u>	<u>Drawing of adjustment system of driver and co-driver seat</u>	<u>2025.03.15</u>
	<u>43 - 45</u>	<u>Location of primary reference points and R-point</u>	<u>2025.03.15</u>

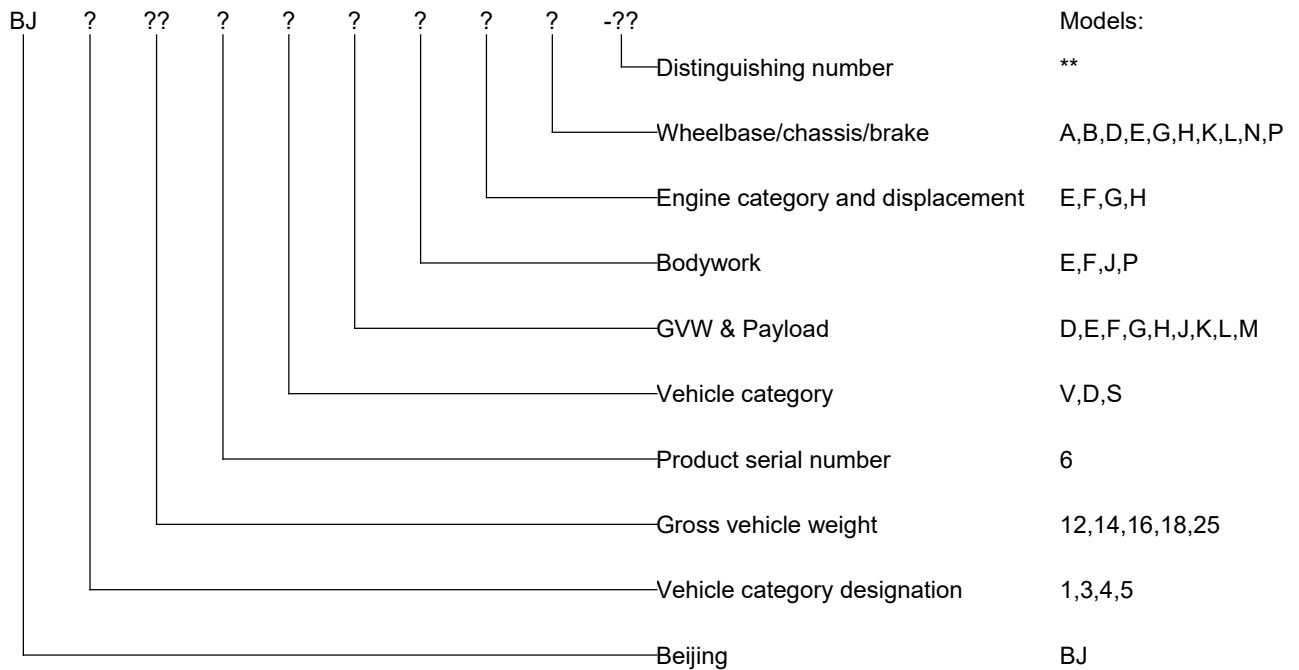
Ms. Mao Rui  
**Mar. 15<sup>th</sup>, 2025**

**0 GENERAL**

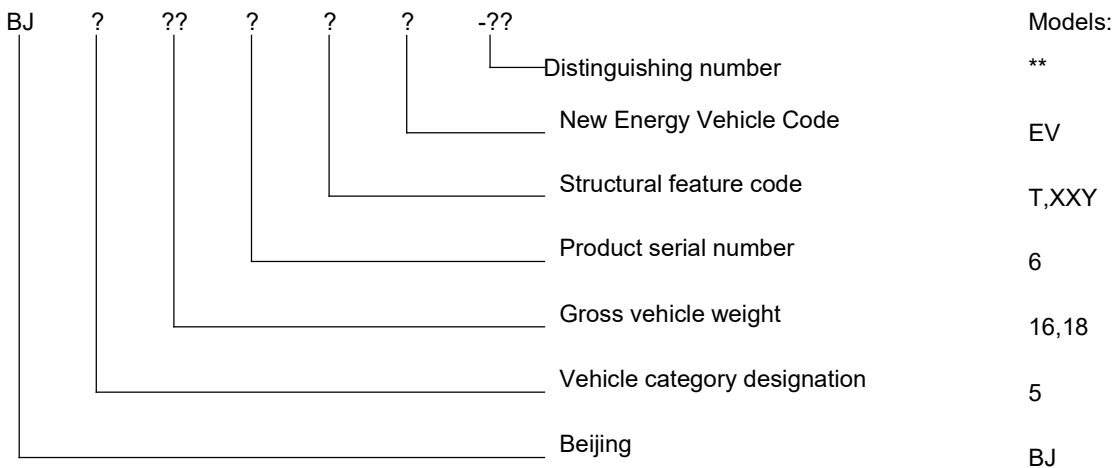
0.1. Make (trade name of manufacture) : FOTON

0.2. Type and general commercial description(s)

Type : M4M

 Commercial description(s) : AUMARK BJ????????-??  
 Example: AUMARK, BJ5166VKPHN-A1,  
 BJ5126VGJFD-RA, BJ1126VGPFK-A1  
 BJ1186VLPFK-FR  
BJ1126VGPFK-FR, BJ1126VGPFK-FR #  
BJ1126VGPFK-FR, BJ1126VGPFN-FR  
BJ1166VKPFD-FR, BJ1166VKPFG-FR  
BJ1166VKPFD-FR, BJ1166VKPFN-FR


(Note: Distinguishing number is optional, \* means any character)

 Commercial name(s) (if available) : AUMARK or AUMAN BJ?????????  
 Example: AUMARK  
 BJ5186XXYEVR1, BJ5186XXYEVR2 , BJ5186XXYEVE #


(Note: Distinguishing number is optional, \* means any character)

Commercial name(s) (if available)	AUMARK or AUMAN BJ????????? Example: AUMARK BJ1186EVJAA, BJ1186EVPA3, BJ1186EVJAB, BJ1186EVPA4, <b>BJ1186EVJAE</b>	#																														
<table style="width: 100%; border-collapse: collapse;"> <tr> <td style="width: 10%;">BJ</td> <td style="width: 10%;">?</td> <td style="width: 10%;">??</td> <td style="width: 10%;">?</td> <td style="width: 10%;">?</td> <td style="width: 10%;">?</td> <td style="width: 10%;">-??</td> <td style="width: 40%;"></td> </tr> <tr> <td style="border-left: 1px solid black; border-right: 1px solid black; height: 100px;"></td> <td style="border-left: 1px solid black; border-right: 1px solid black; height: 100px;"></td> <td style="border-left: 1px solid black; border-right: 1px solid black; height: 100px;"></td> <td style="border-left: 1px solid black; border-right: 1px solid black; height: 100px;"></td> <td style="border-left: 1px solid black; border-right: 1px solid black; height: 100px;"></td> <td style="border-left: 1px solid black; border-right: 1px solid black; height: 100px;"></td> <td style="border-left: 1px solid black; border-right: 1px solid black; height: 100px;"></td> <td style="vertical-align: top;">           Models:            **            JA,PA            EV            6            16,18            1            BJ         </td> </tr> </table>	BJ	?	??	?	?	?	-??									Models: ** JA,PA EV 6 16,18 1 BJ	<table style="width: 100%; border-collapse: collapse;"> <tr> <td style="width: 50%;"></td> <td style="width: 50%;">Distinguishing number</td> </tr> <tr> <td style="width: 50%;"></td> <td style="width: 50%;">New energy general vehicle Technical characteristics code</td> </tr> <tr> <td style="width: 50%;"></td> <td style="width: 50%;">New Energy Vehicle Code</td> </tr> <tr> <td style="width: 50%;"></td> <td style="width: 50%;">Product serial number</td> </tr> <tr> <td style="width: 50%;"></td> <td style="width: 50%;">Gross vehicle weight</td> </tr> <tr> <td style="width: 50%;"></td> <td style="width: 50%;">Vehicle category designation</td> </tr> <tr> <td style="width: 50%;"></td> <td style="width: 50%;">Beijing</td> </tr> </table>		Distinguishing number		New energy general vehicle Technical characteristics code		New Energy Vehicle Code		Product serial number		Gross vehicle weight		Vehicle category designation		Beijing	
BJ	?	??	?	?	?	-??																										
							Models: ** JA,PA EV 6 16,18 1 BJ																									
	Distinguishing number																															
	New energy general vehicle Technical characteristics code																															
	New Energy Vehicle Code																															
	Product serial number																															
	Gross vehicle weight																															
	Vehicle category designation																															
	Beijing																															

(Note: Distinguishing number is optional, \* means any character)

		#
Means of identification of type, if marked on the vehicle	: <u>LVB????????????????</u> <b>The 4-8 characters of VIN</b>	
Location of that marking	: Plate is fixed on the right side door pillar of the cab	
0.4. Category of Vehicle	: N2, N3	
0.5. Name and address of the manufacturer	: BEIQI FOTON MOTOR CO., LTD. North of Laoniawan Village, Shayang Road, Shahe Town, Changping District, Beijing 102206, China (PRC)	
0.8. Address(es) of assembly plant(s)	: ZHUCHENG PLANT, BEIQI FOTON MOTOR CO., LTD. No.1 Longyuan Street, Zhucheng City, Weifang city, Shandong Province 262200, China (PRC)  Beiqi Foton Motor Co. Ltd. Changsha Super Truck Plant No. 85 South Section of Dongliu Road Changsha area, (Hunan) Pilot Free Trade Zone 410131 Changsha City, China (PRC)	
0.10. Position of ECE approval mark	: Print on a label next to statutory plate	

**1. GENERAL CONSTRUCTION CHARACTERISTICS OF THE VEHICLE**

1.1. Photographs and/or drawings of a representative vehicle : See Annex A, on Page 7 - 19 #

**9. BODYWORK**

9.1. Type of bodywork : BA, BB, BX

9.2. Materials used and methods of construction : Cold rolled carbon steel, spot welded, separate chassis

9.10. Interior fittings

9.10.3. Seats

9.10.3.1. Number : 2

9.10.3.2. Position and arrangement : Separate seat: driver and co-driver

9.10.3.3. Mass : Left hand: Drive seat: 38 kg; Co-driver seat: 16 kg #  
**Drive seat: 40.5 kg; Co-driver seat: 40.5 kg**  
Right hand: Drive seat: 38 kg; Co-driver seat: 16 kg  
**Drive seat: 40.5 kg; Co-driver seat: 40.5 kg**

9.10.3.4. Characteristics: for seats not EC type-approved as components, description and drawings of

9.10.3.4.1. the seats and their anchorage : See Annex B, on Page 20 - 45 #

9.10.3.4.2. the adjustment system : See Annex B, on Page 20 - 45 #

9.10.3.4.3. the displacement and locking system : NA

9.10.3.4.4. The seat belt anchorages (if incorporated in the seat structure) : NA

9.10.3.5. Coordinates or drawing of the R-point

9.10.3.5.1. Driver's seat : See Annex B, on Page 20 - 45 #

9.10.3.5.2. All other seating positions : See Annex B, on Page 20 - 45 #

9.10.3.6. Design torso angle

9.10.3.6.1. Driver's seat : Left hand: 13°  
Right hand: 13°

9.10.3.6.2. All other seating positions : Left hand: Co-driver: 13°  
Right hand: Co-driver: 13°

9.10.3.7. Range of seat adjustment

9.10.3.7.1. Driver's seat : Left hand: Forward: 170 mm; Backward: 0 mm;  
upward: 60 mm  
Right hand 2: Forward: 170 mm; Backward: 0 mm;  
upward: 60 mm

9.10.3.7.2. All other seating positions : NA

9.10.4. Head restraints

9.10.4.1. Type(s) of head restraints : Integrated/~~detachable~~/separate

9.10.4.2. For head restraints not yet approved

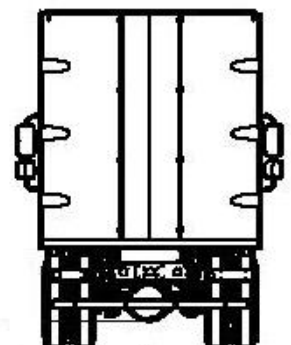
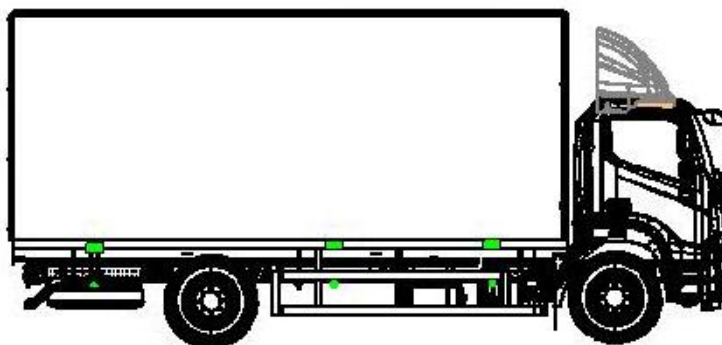
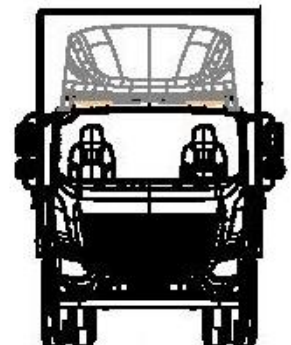
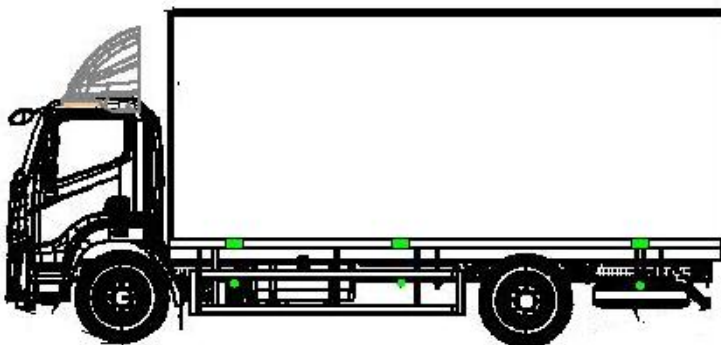
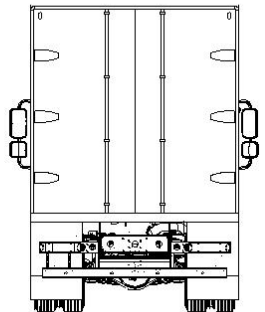
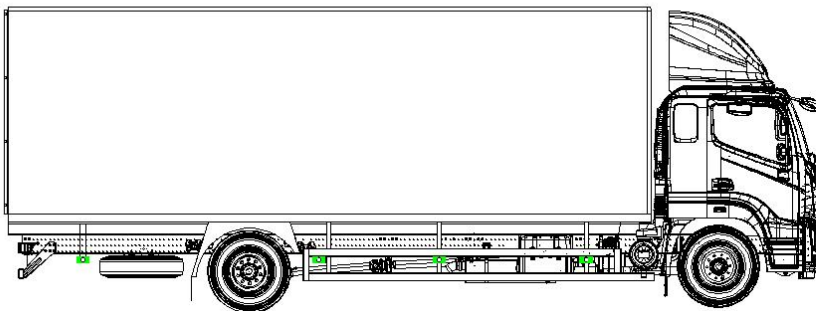
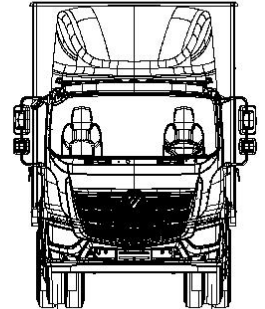
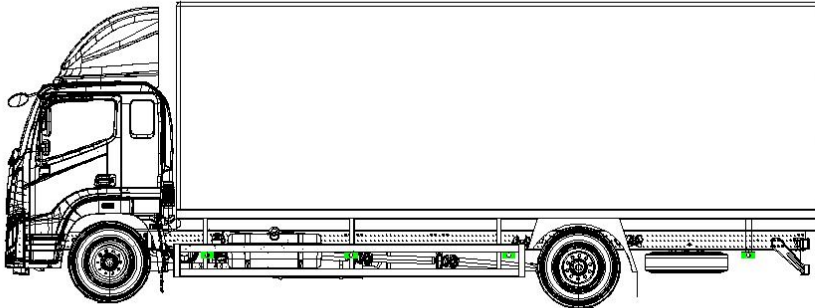
9.10.4.2.1. A detailed description of the head restraint, specifying in particular the nature of the padding material or materials and, where applicable, the position and specifications of the braces and anchorage pieces for the type of seat for which approval is sought : See Annex B, on Page **20 - 45** #

9.10.4.2.2. In the case of a 'separate' head restraint

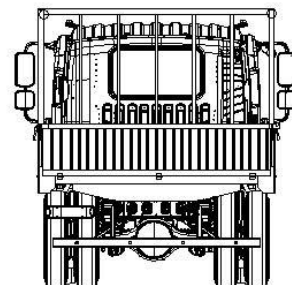
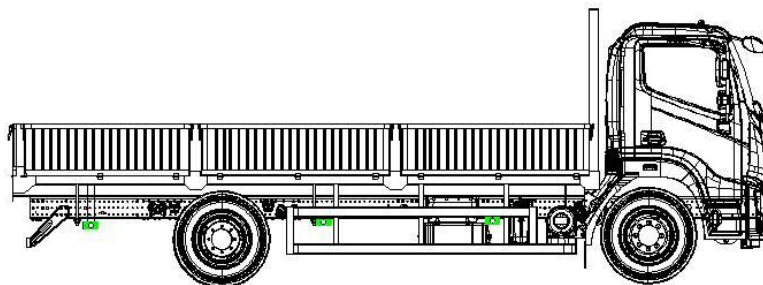
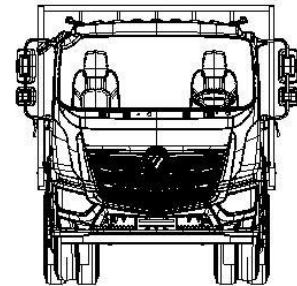
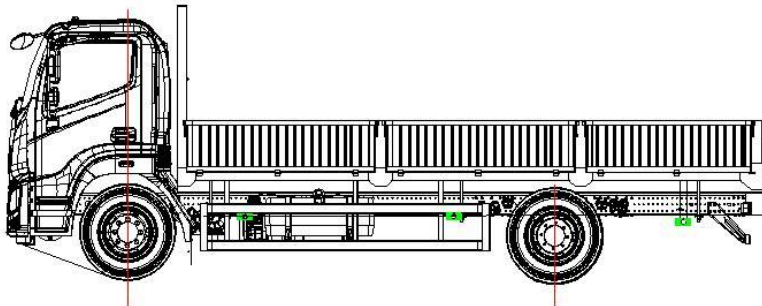
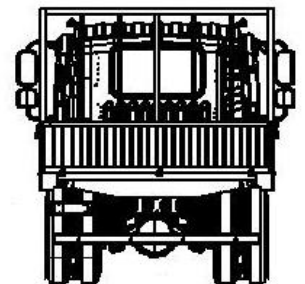
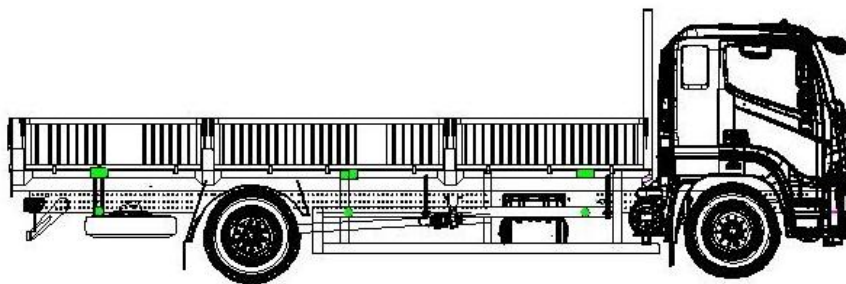
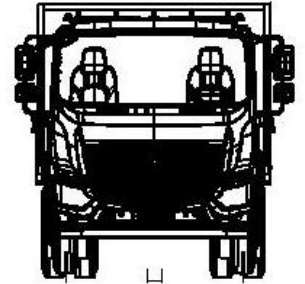
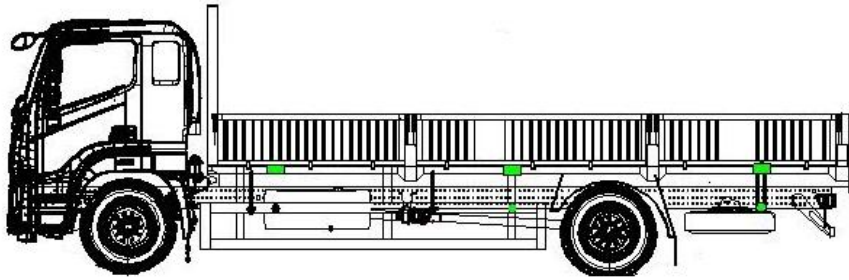
9.10.4.2.2.1 A detailed description of the structural zone to which the head restraint is intended to be fixed : NA

9.10.4.2.2.2 Dimensional drawings of the characteristic parts of the structure and the head restraint : NA

Title: Drawings of representative vehicle

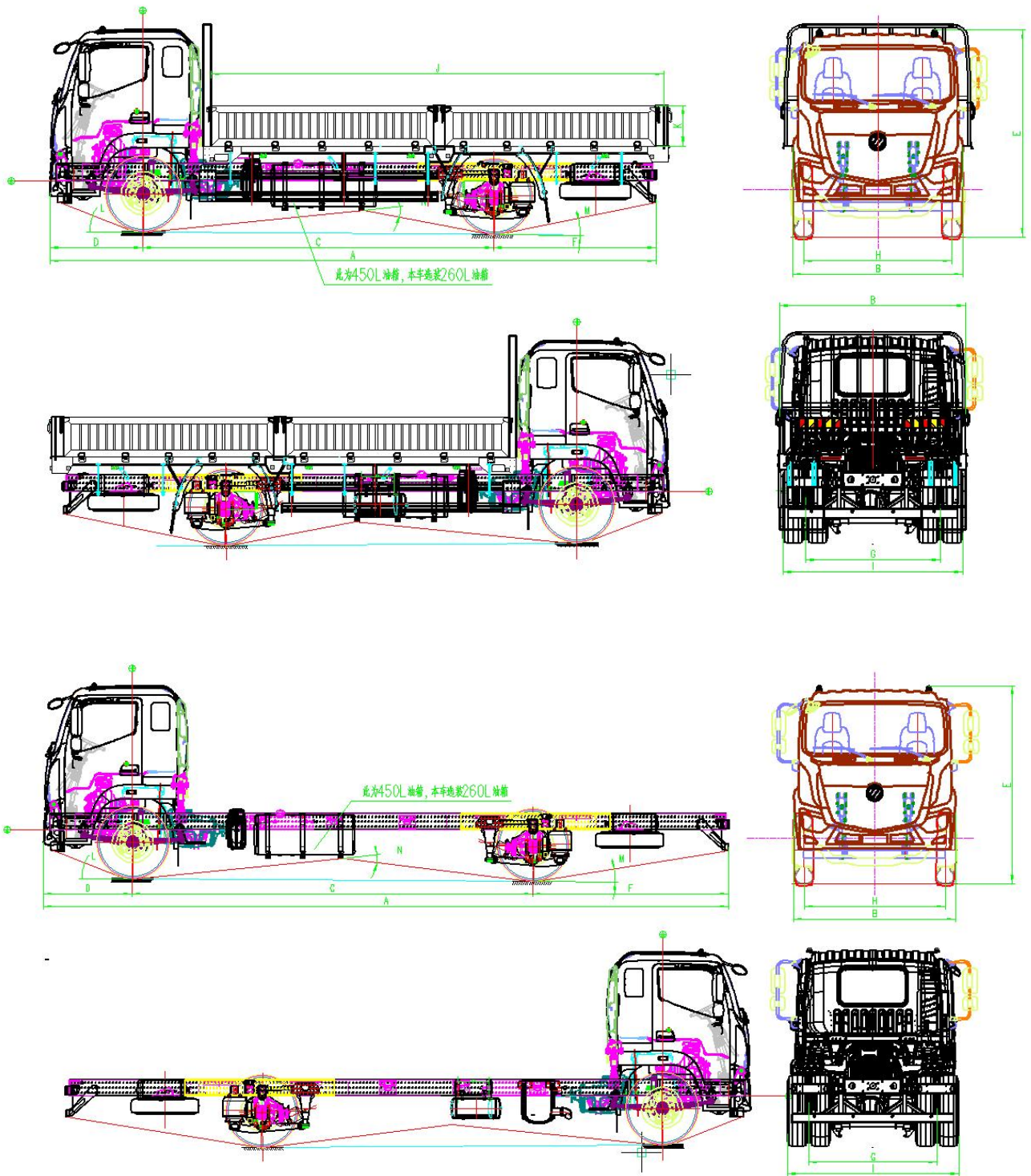


Title: Drawings of representative vehicle



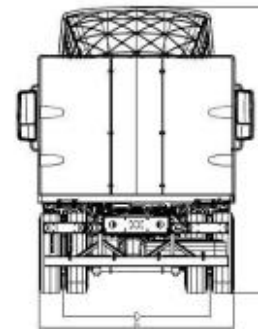
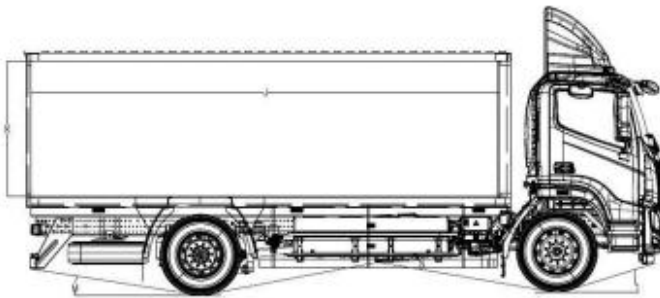
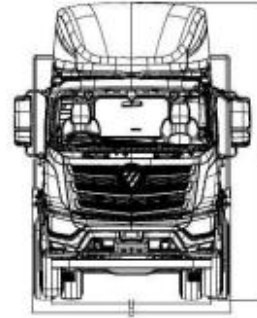
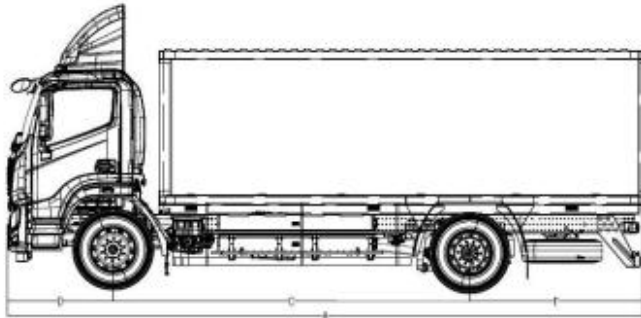
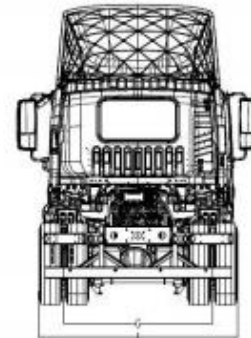
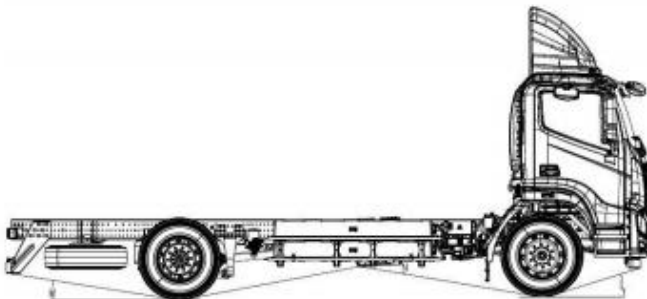
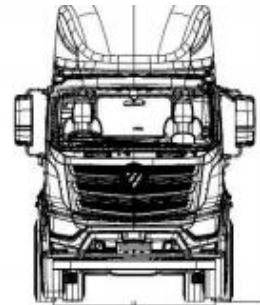
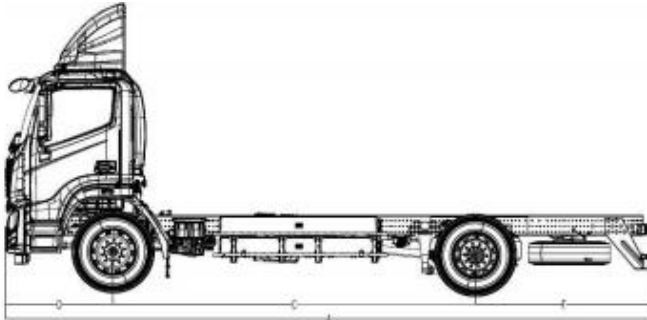
Title: Drawings of representative vehicle

BJ1186VLPKH-FR



Title: Drawings of representative vehicle

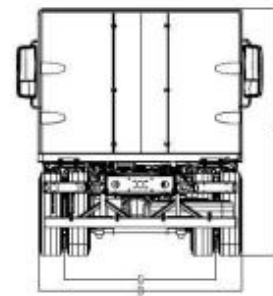
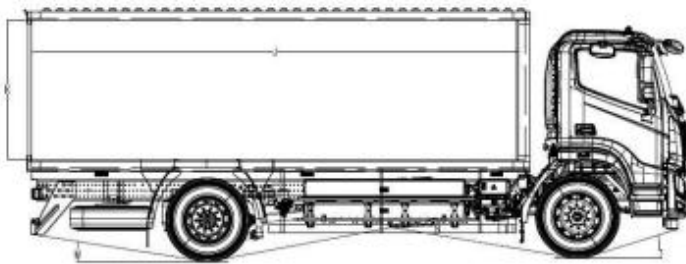
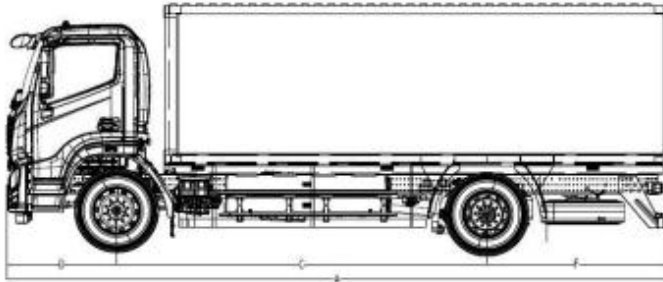
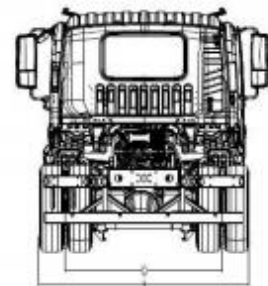
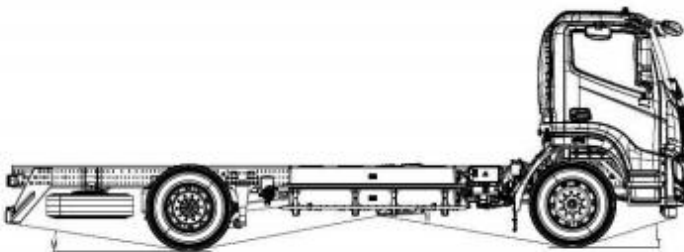
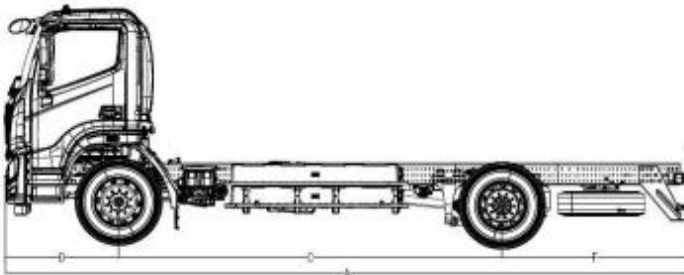
BJ5186XXYEVR2

Vehicle may be fitted with a middle seat  
BJ1186EVJAA

Vehicle may be fitted with a middle seat

Title: Drawings of representative vehicle

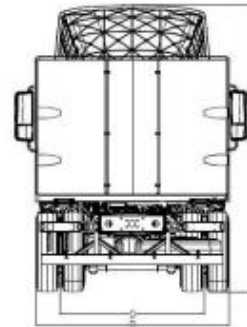
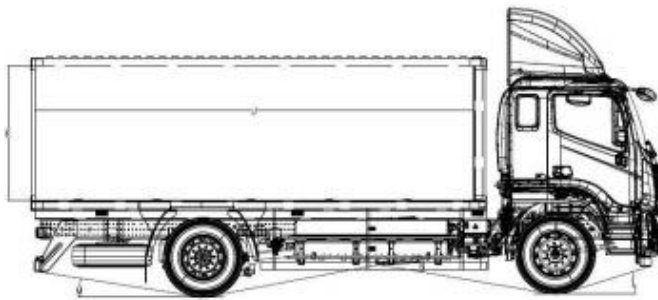
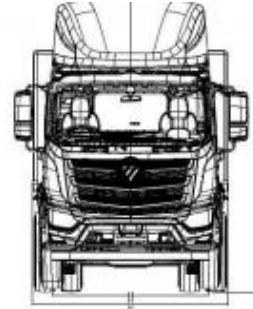
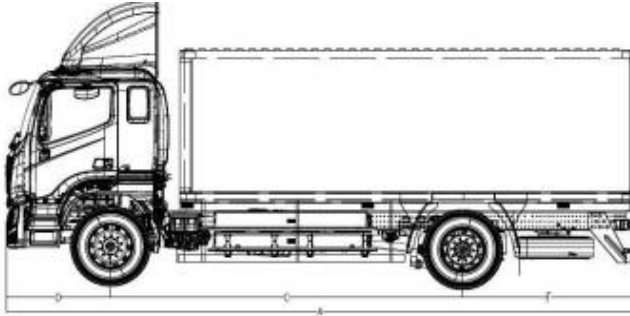
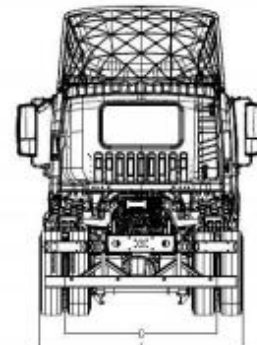
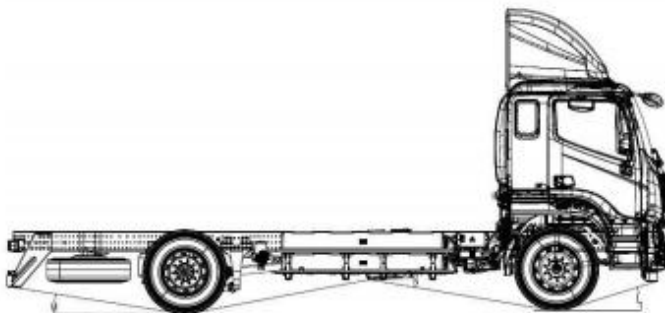
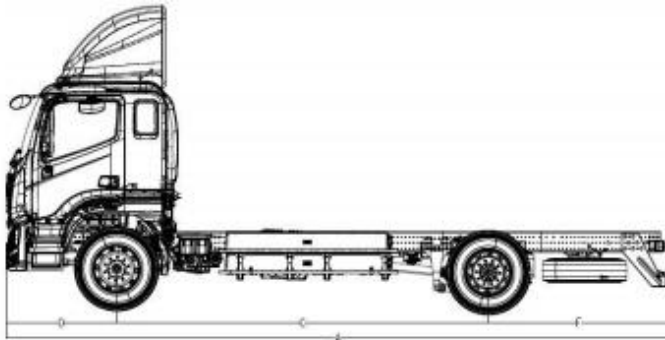
BJ5186XXYEVR2

Vehicle may be fitted with a middle seat  
BJ1186EVJAA

Vehicle may be fitted with a middle seat

Title: Drawings of representative vehicle

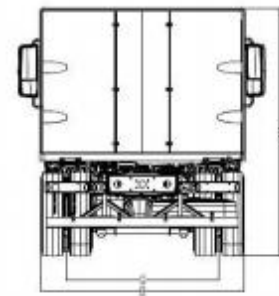
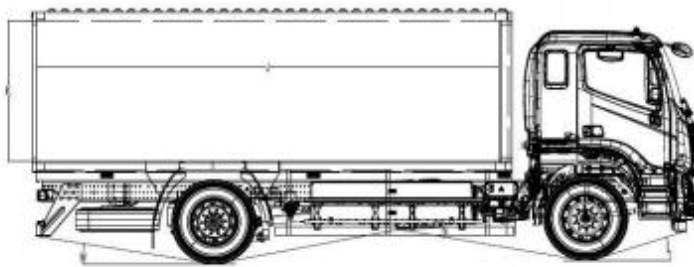
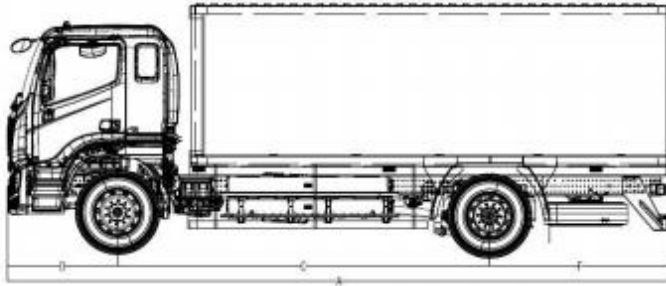
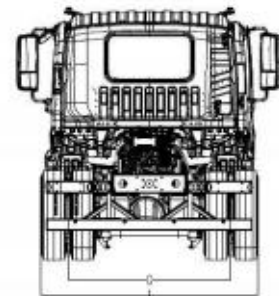
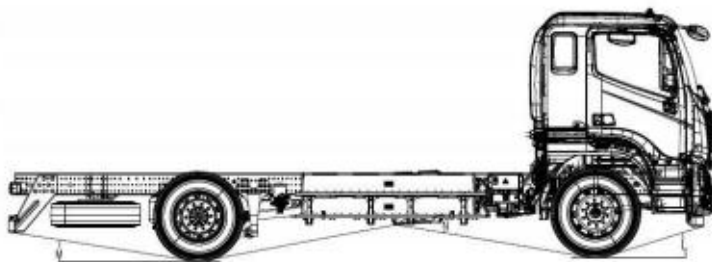
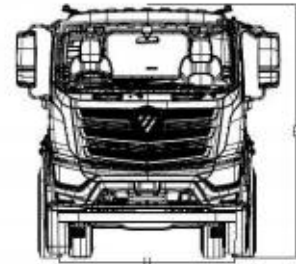
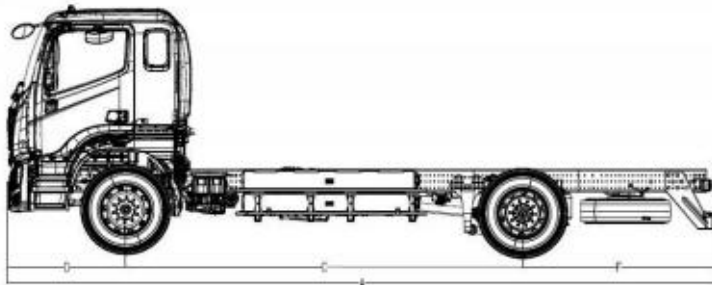
BJ5186XXYEV2

Vehicle may be fitted with a middle seat  
BJ1186EVP3

Vehicle may be fitted with a middle seat

Title: Drawings of representative vehicle

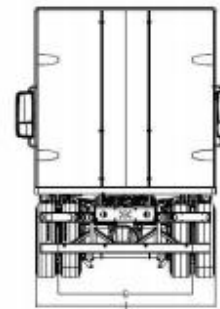
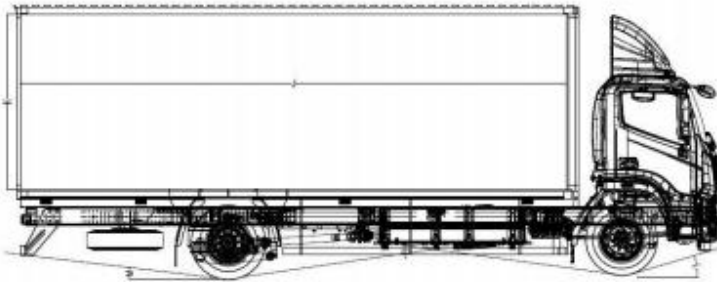
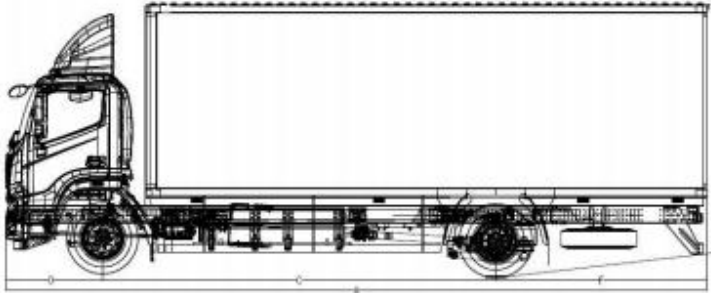
BJ5186XXYEV2

Vehicle may be fitted with a middle seat  
BJ1186EVPA3

Vehicle may be fitted with a middle seat

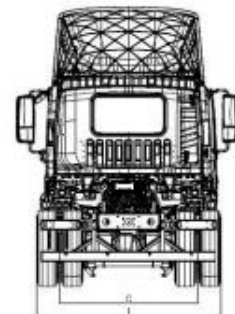
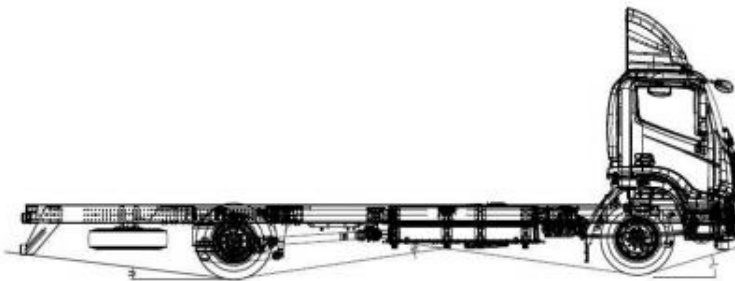
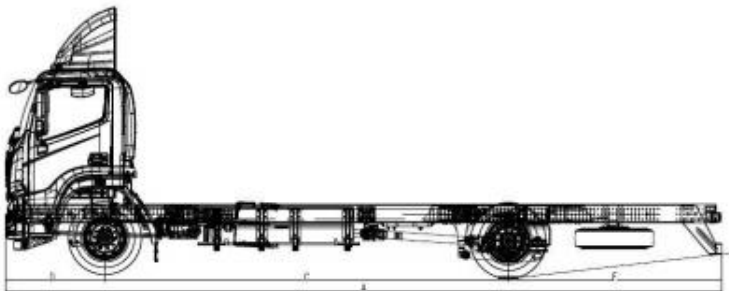
Title: Drawings of representative vehicle

BJ5186XXYEVR1



Vehicle may be fitted with a middle seat

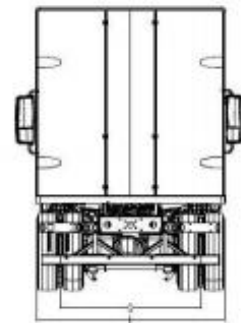
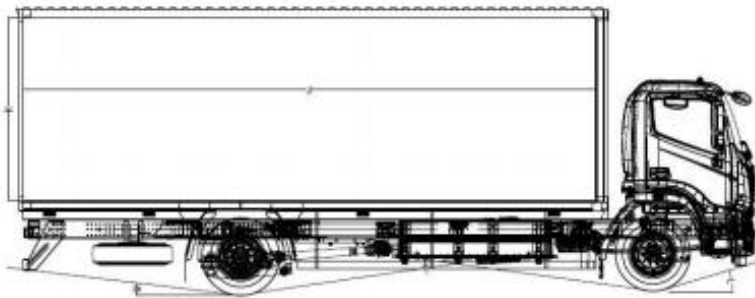
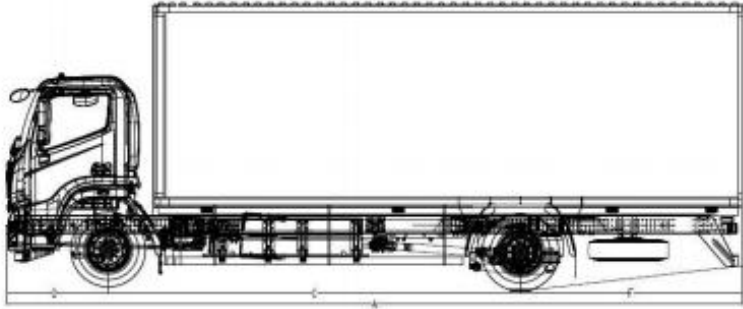
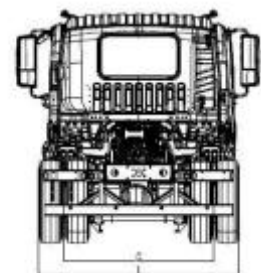
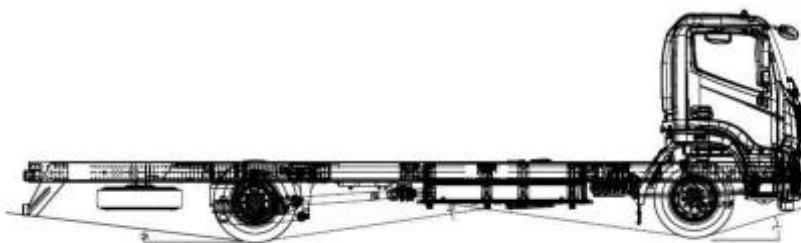
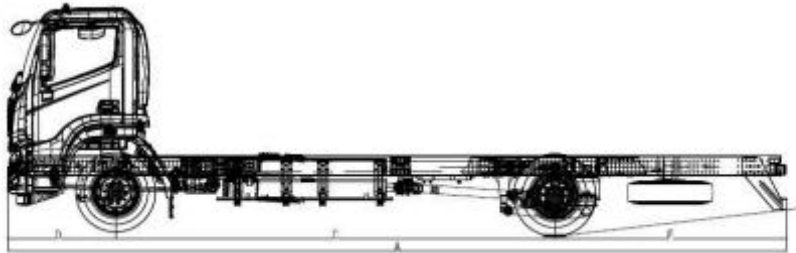
BJ1186VAB



Vehicle may be fitted with a middle seat

Title: Drawings of representative vehicle

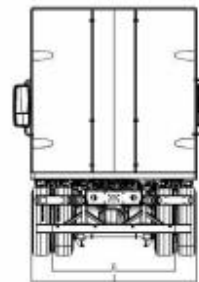
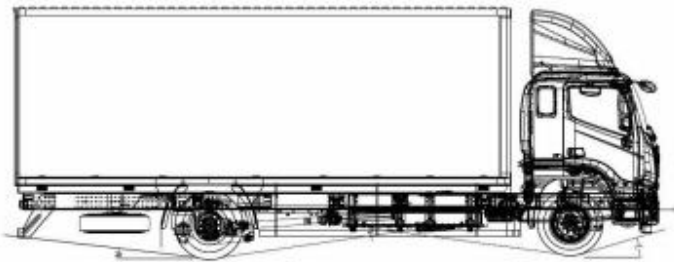
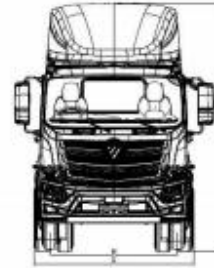
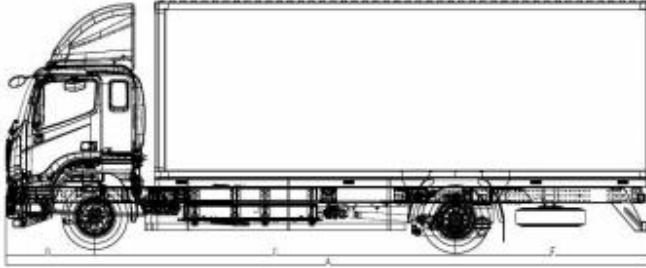
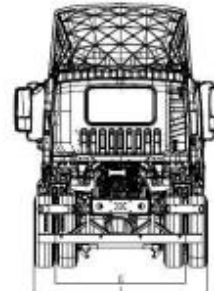
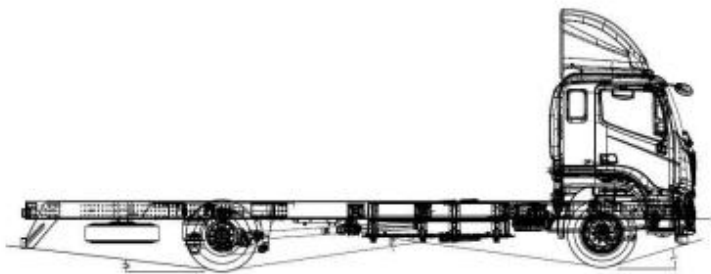
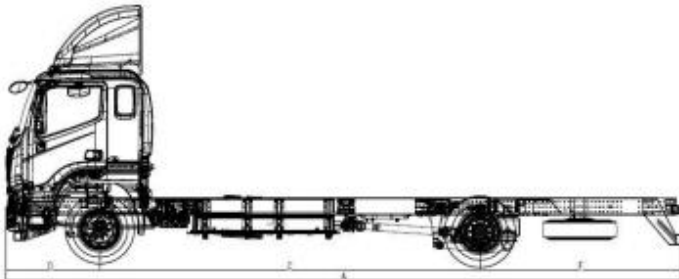
BJ5186XXYEVR1

Vehicle may be fitted with a middle seat  
BJ1186VAB

Vehicle may be fitted with a middle seat

Title: Drawings of representative vehicle

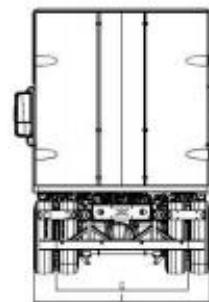
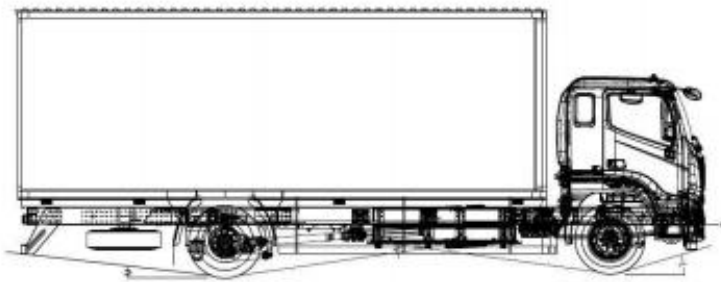
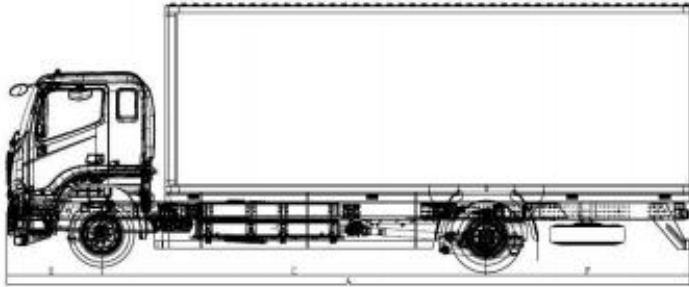
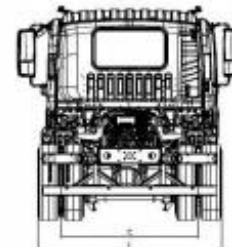
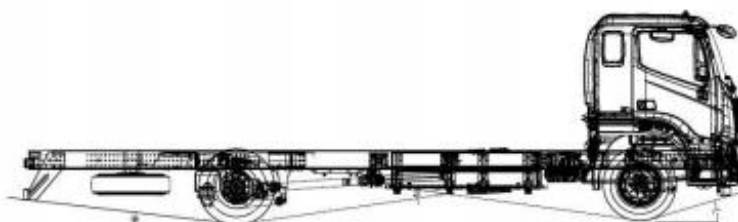
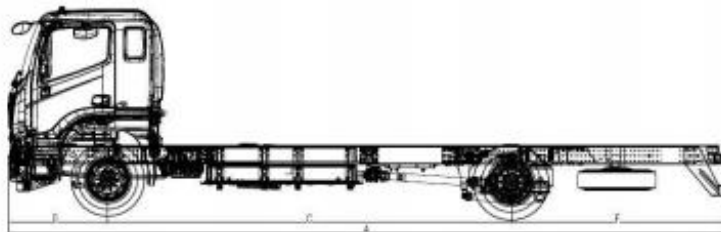
BJ5186XXYEVR2

Vehicle may be fitted with a middle seat  
BJ1186EVPA4

Vehicle may be fitted with a middle seat

Title: Drawings of representative vehicle

BJ5186XXYEVR2

Vehicle may be fitted with a middle seat  
BJ1186EVPA4

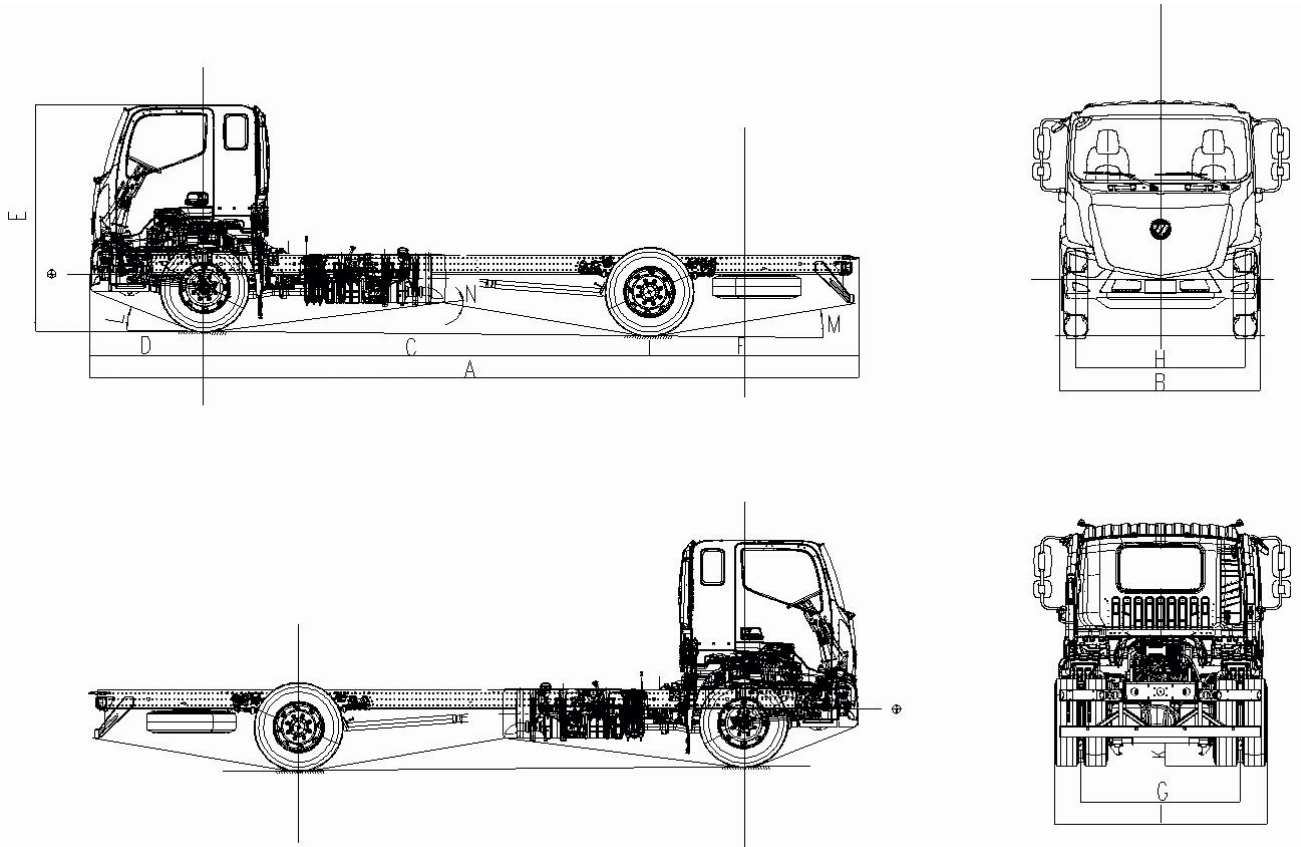
Vehicle may be fitted with a middle seat



Title: Drawings of representative vehicle

**BJ1126VGPFDFR, BJ1126VGPFGR**  
**BJ1126VGPFKFR, BJ1126VGPFNFR**  
**BJ1166VKPFDFR, BJ1166VKPFGFR**  
**BJ1166VKPFKFR, BJ1166VKPFNFR**

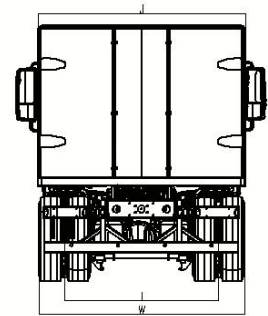
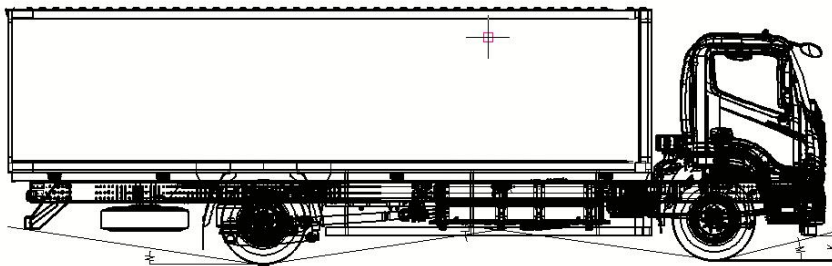
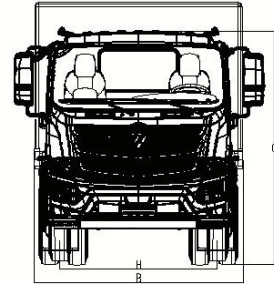
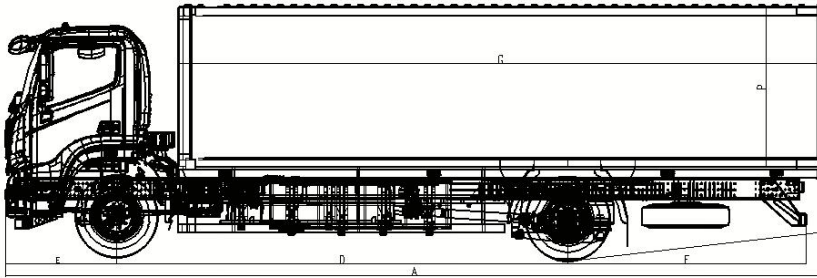
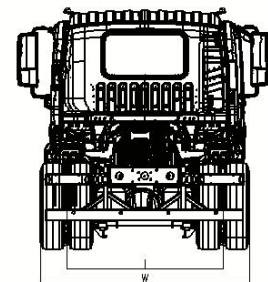
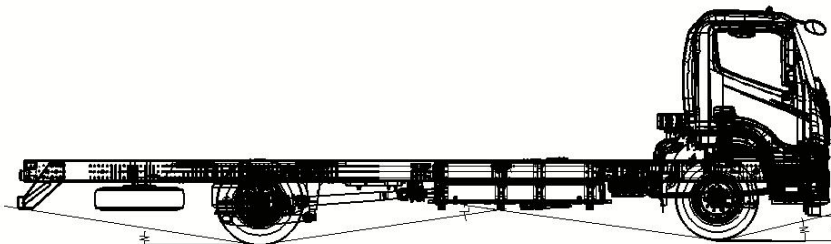
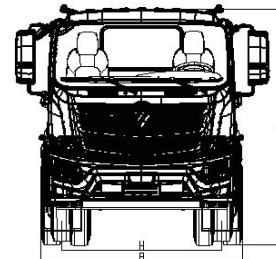
#




Title: Drawings of representative vehicle

**BJ5186XXYEVE**

#


**BJ1186EVJAE**


Vehicle may be fitted with a middle seat

	BEIQI FOTON MOTOR CO., LTD.	Annex B
	Partial Information Folder No.: <u>M4M-R25-03</u>	
Title: Description of seats		

**Type:**

Separate seat for driver and co-driver.

Construction:

All seats can be firmly attached to the vehicle by bolts and nuts.

The driver seat and co-driver seat have integrated head restraints.

The driver seat can be operated by slide, tilt, and height adjusting and recliner angle adjusting, the co-driver seat can be adjusted by recliner angle

The padding of seat is PU foam. The density is 45 kg/m<sup>3</sup>~55 kg/m<sup>3</sup>.

**Dimension:**

The dimensions of seats see Annex B on page 20-32

#

The design torso angle of driver seat and co-driver seat is 13°.

**Adjustment:**

**Left hand:**

Direction	Type 1 (Airbag shock absorber)	
	Driver	Co-driver
Angular direction	The driver seat-back range is between 40°backward and 30°forward by the angle adjuster which can be lockable in all the positions provided.	The driver seat-back range is between 40°backward and 30°forward by the angle adjuster which can be lockable in all the positions provided. All seats which can be tipped forward and have fold-on backs can be locked automatically in the normal position.
Longitudinal direction	The driver seat can be adjusted forward and backward by the sliders (forward: 170 mm, backward: 0 mm). The driver seat can be adjusted every 10 mm.	--
Vertical	Up and down: 60 mm	

Direction	Type 2 (Mechanical shock absorber)	
	Driver	Co-driver
Angular direction	The driver seat-back range is between 40°backward and 30°forward by the angle adjuster which can be lockable in all the positions provided.	The driver seat-back range is between 40°backward and 30°forward by the angle adjuster which can be lockable in all the positions provided. All seats which can be tipped forward and have fold-on backs can be locked automatically in the normal position.
Longitudinal direction	The driver seat can be adjusted forward and backward by the sliders (forward: 170 mm, backward: 0 mm). The driver seat can be adjusted every 10 mm.	--
Vertical	Up and down: 60 mm	--

**Right hand:**

Direction	Type 3	
	Driver	Co-driver
Angular direction	The driver seat-back range is between 40° backward and 30°forward by the angle adjuster which can be lockable in all the positions provided.	The driver seat-back range is between 40°backward and 30°forward by the angle adjuster which can be lockable in all the positions provided. All seats which can be tipped forward and have fold-on backs can be locked automatically in the normal position.
Longitudinal direction	The driver seat can be adjusted forward and backward by the sliders (forward: 170 mm, backward: 0 mm). The driver seat can be adjusted every 10 mm.	--



Title: Description of seats

Direction	Type 4 and Type 5 (Airbag shock absorber)		
	Driver	Co-driver	Middle (option)
Angular direction	The driver seat-back range is between 45°backward and 35°forward by the angle adjuster which can be lockable in all the positions provided.	The Co-driver seat-back range is between 45°backward and 35°forward by the angle adjuster which can be lockable in all the positions provided. All seats which can be tipped forward and have fold-on backs can be locked automatically in the normal position.	The middle seat-back range is 103°forward by the angle adjuster but can not be lockable in all the positions provided.
Longitudinal direction	The driver seat can be adjusted forward and backward by the sliders (forward: 180 mm, backward: 0 mm). The driver seat can be adjusted every 10 mm.	The driver seat can be adjusted forward and backward by the sliders (forward: 180 mm, backward: 0 mm). The driver seat can be adjusted every 10 mm.	The middle seat-back range is 103°forward by the angle adjuster but can not be lockable in all the positions provided.
Vertical	Up and down: 100 mm	Up and down: 100 mm	--

#

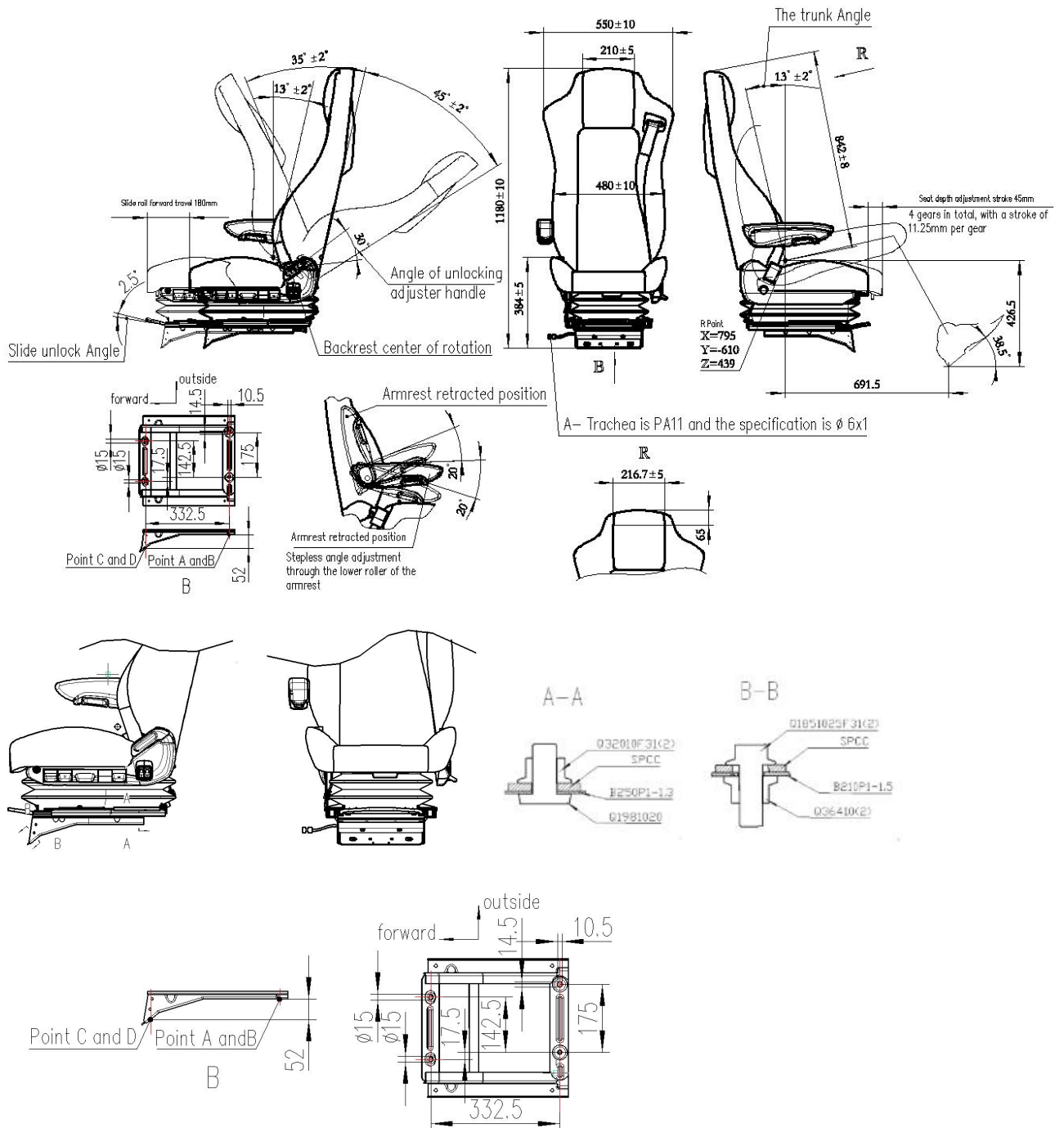
Direction	Type 6		
	Driver	Co-driver	Middle (option)
<u>Angular direction</u>	<u>The driver seat-back range is between 40°backward and 30°forward by the angle adjuster which can be lockable in all the positions provided</u>	<u>The Co-driver seat-back range is between 40°backward and 30°forward by the angle adjuster which can be lockable in all the positions provided.</u> <u>All seats which can be tipped forward and have fold-on backs can be locked automatically in the normal position.</u>	<u>The middle seat-back range is 103°forward by the angle adjuster but can not be lockable in all the positions provided.</u>
<u>Longitudinal direction</u>	<u>Option 1: The driver seat can be adjusted forward and backward by the sliders (forward: 170 mm, backward: 0 mm).</u> <u>The driver seat can be adjusted every 10 mm.</u>	==	==
<u>Vertical</u>	<u>Up and down: 100 mm</u>	<u>Up and down: 100 mm</u>	





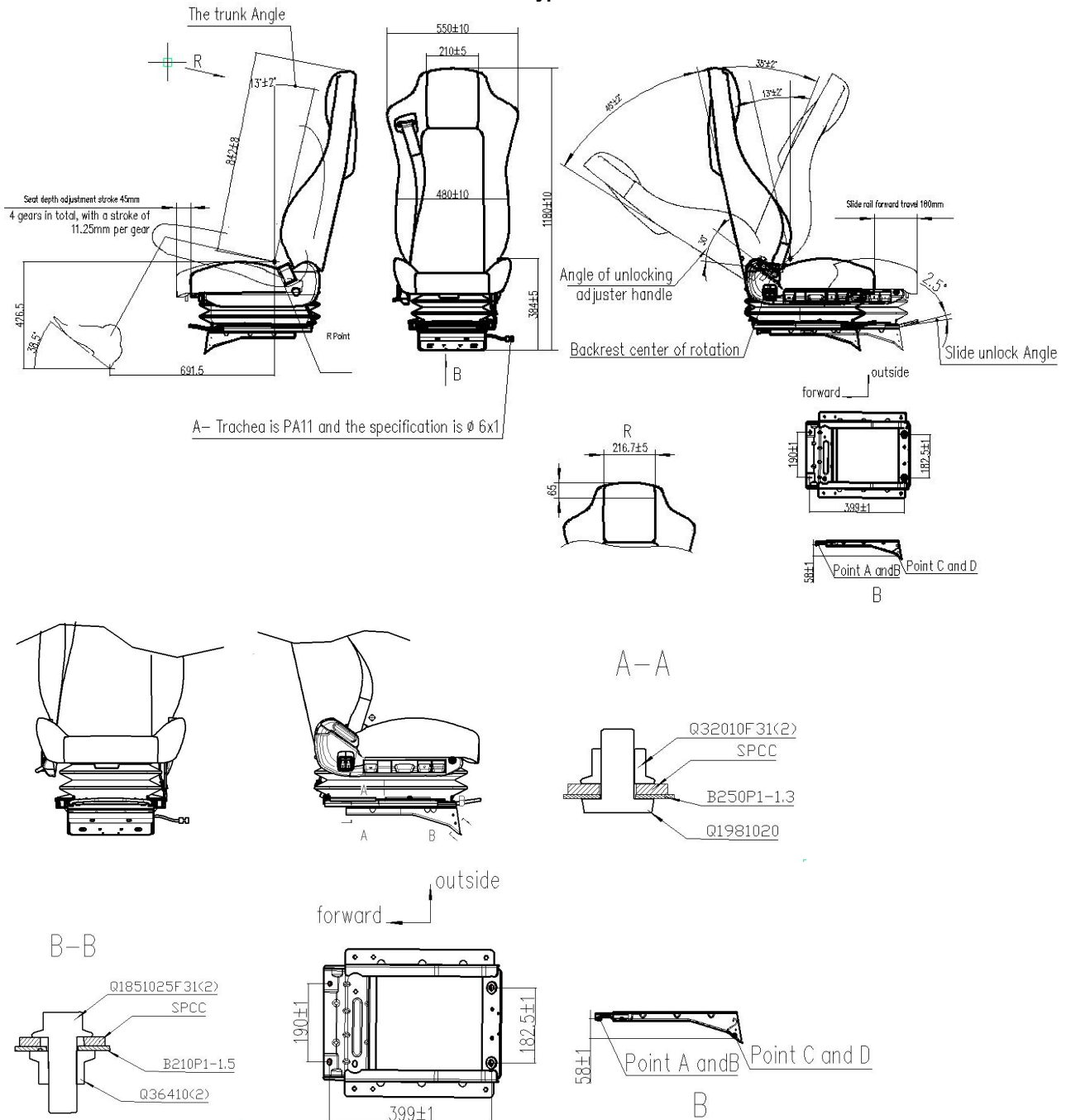
Title: Drawing of driver seat and co-driver seat anchorages

## Left hand drive: Type 4 Driver seat



Part number (Type name)	Manufacture
M46810000229	GRAMMER Interior Co., Ltd.

Title: Drawing of driver seat and co-driver seat anchorages

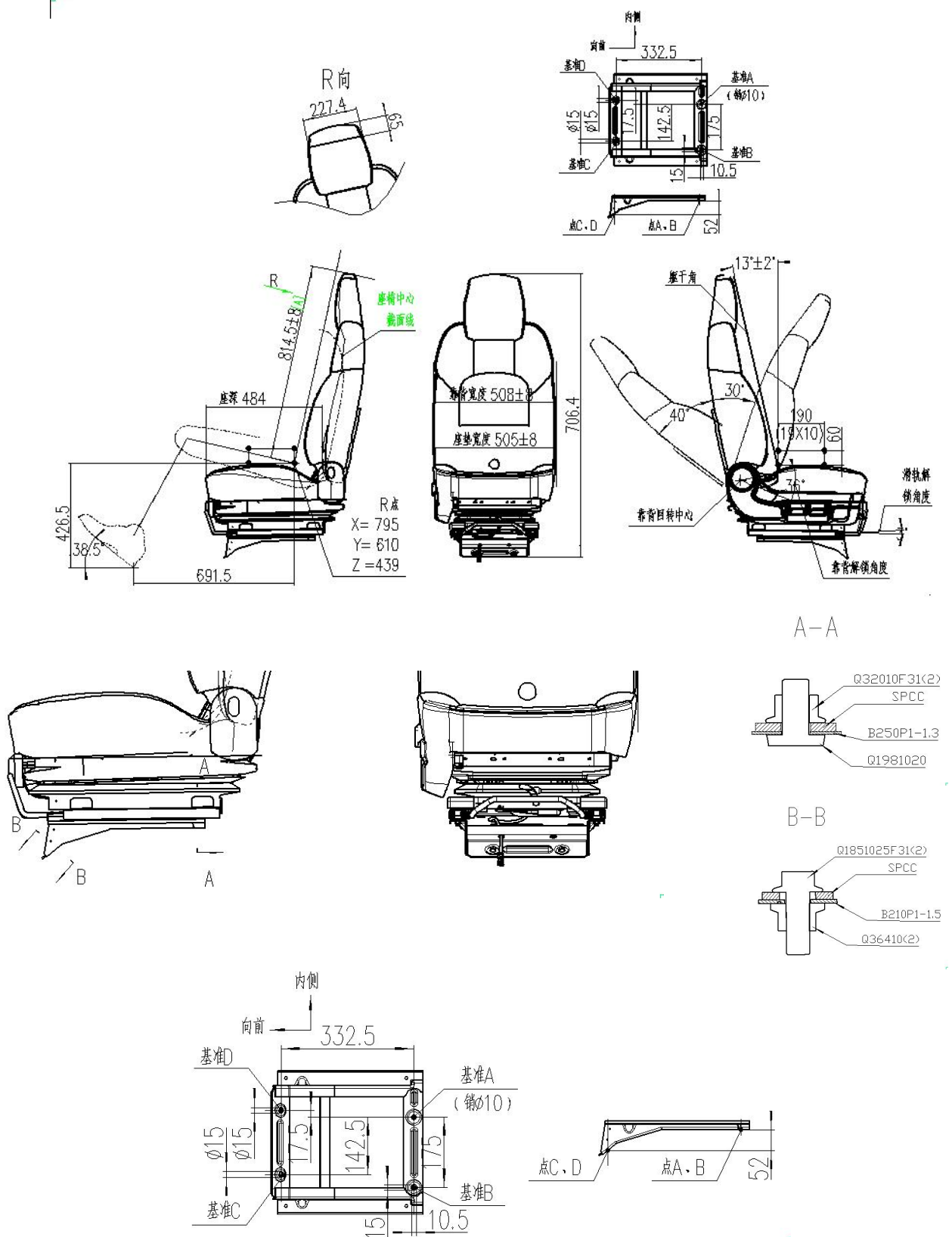
**Left hand drive: Type 4 Co-driver**


Part number (Type name)	Manufacture
M46810000228	GRAMMER Interior Co., Ltd.

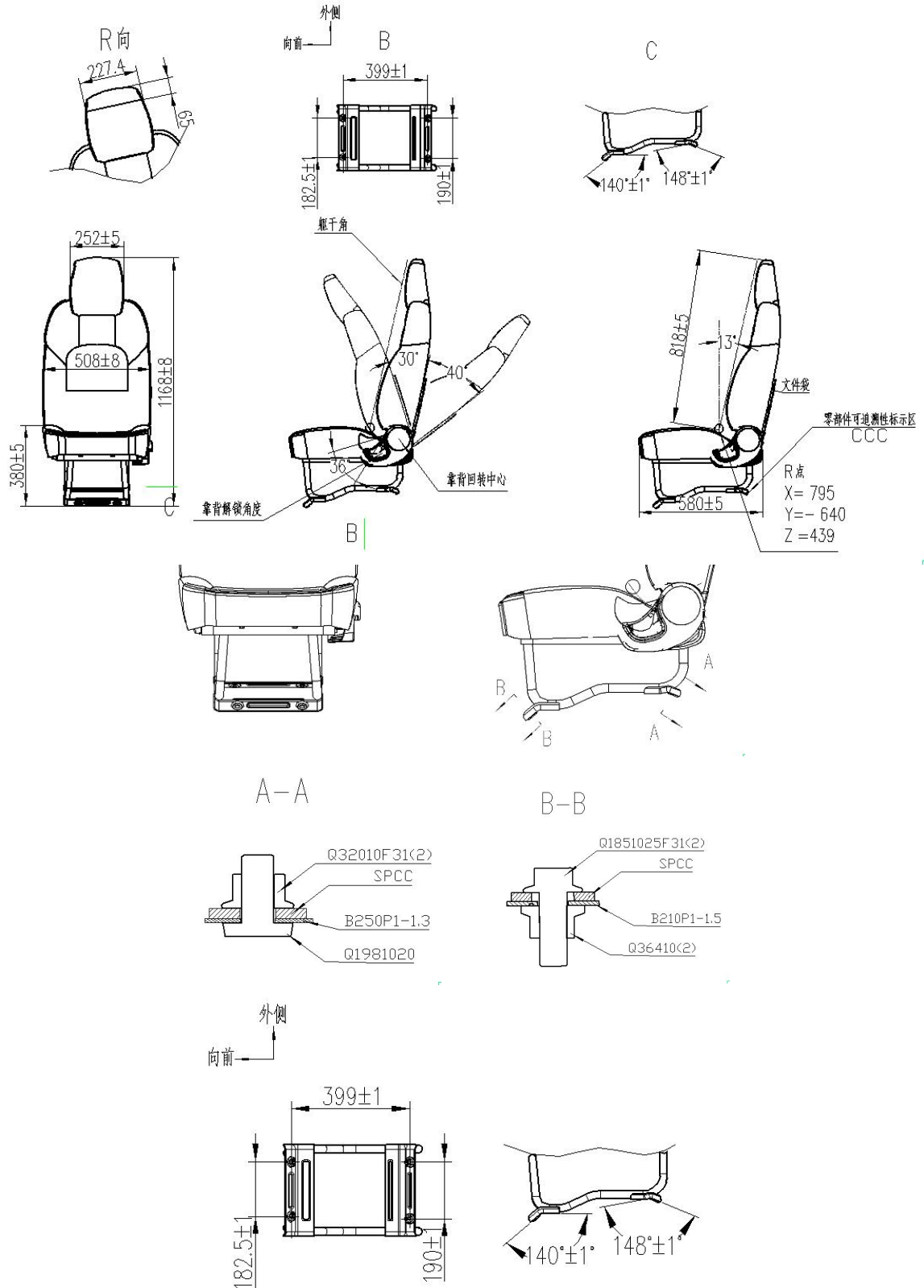


Title: Drawing of driver seat and co-driver seat anchorages

## Right hand drive: Type 3 Driver seat

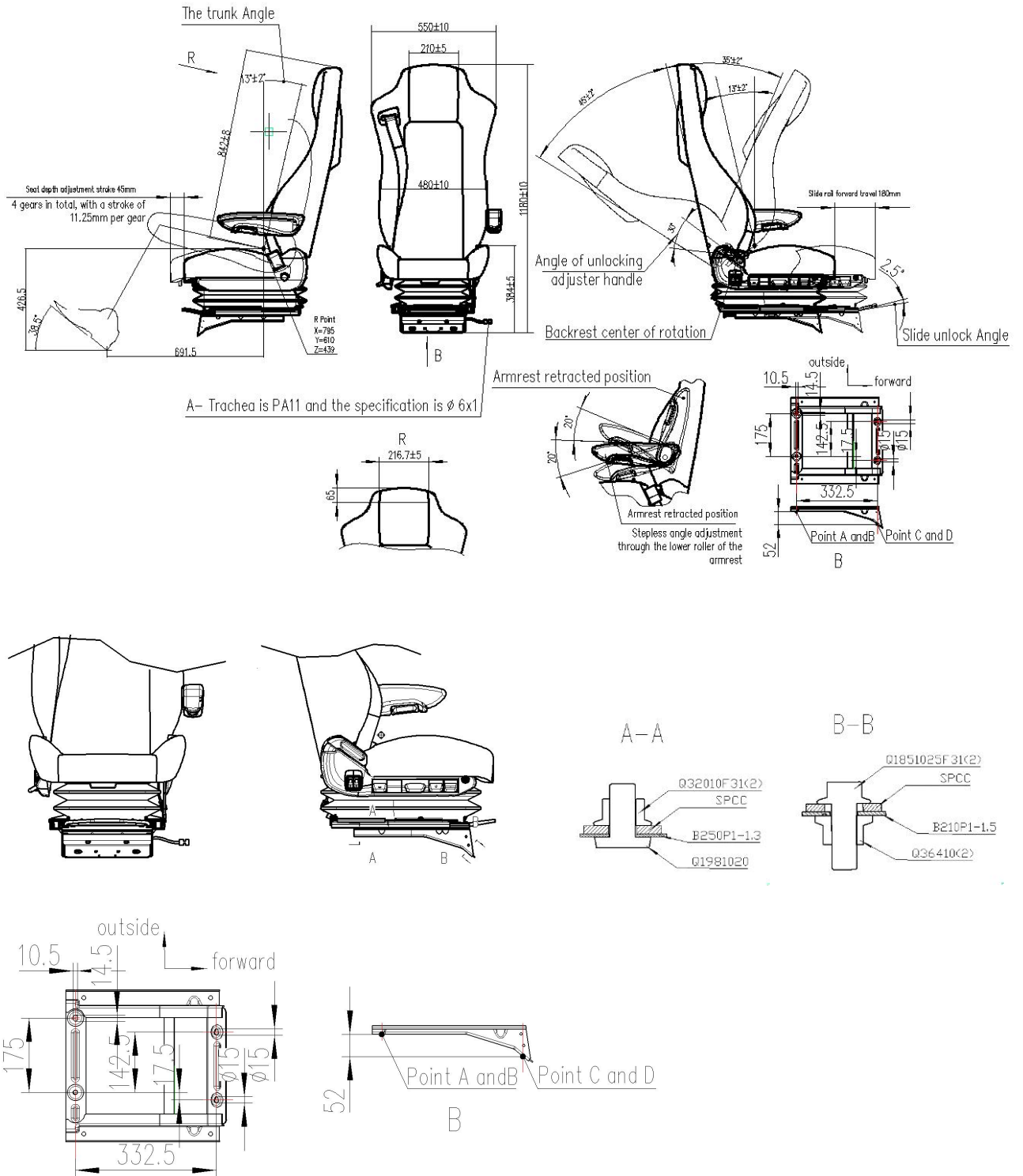


Title: Drawing of driver seat and co-driver seat anchorages

**Right hand drive: Type 3 Co-driver**


Title: Drawing of driver seat and co-driver seat anchorages

Right hand drive: Type 5 Driver



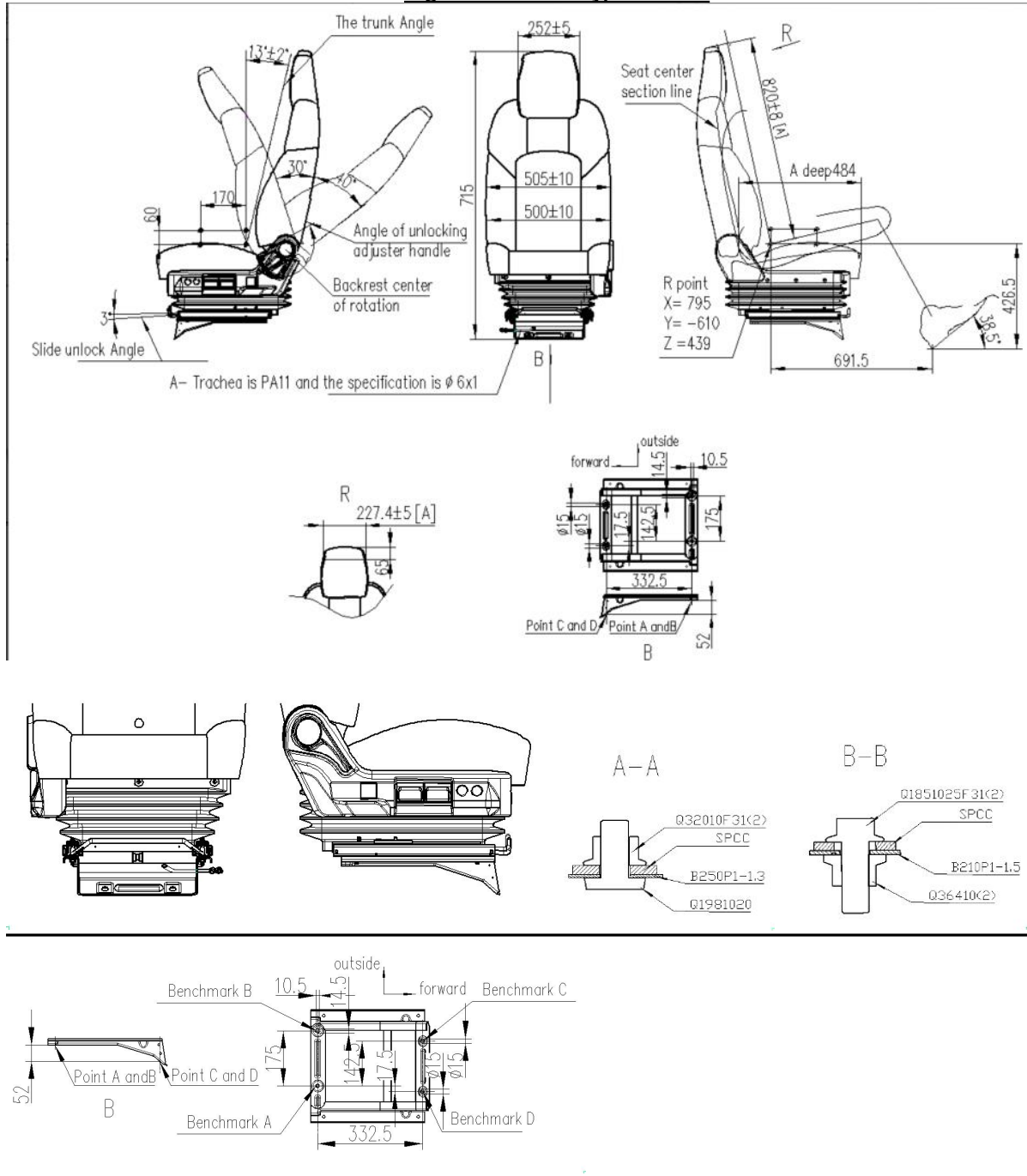
Part number (Type name)	Manufacture
M46810000230	GRAMMER Interior Co., Ltd.



## Title: Drawing of driver seat and co-driver seat anchorages

**Right hand drive: Type 6 Driver**

#

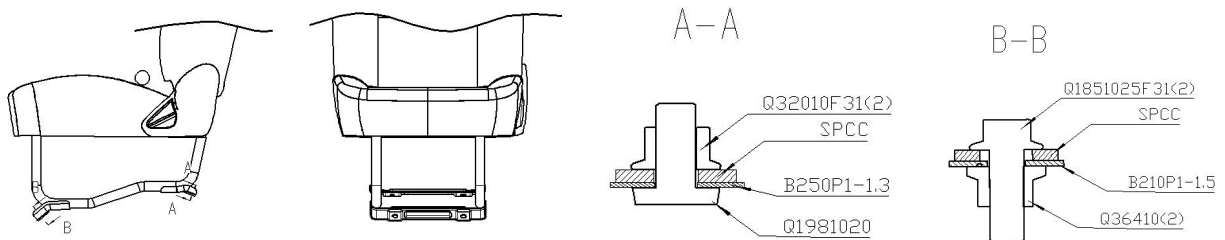
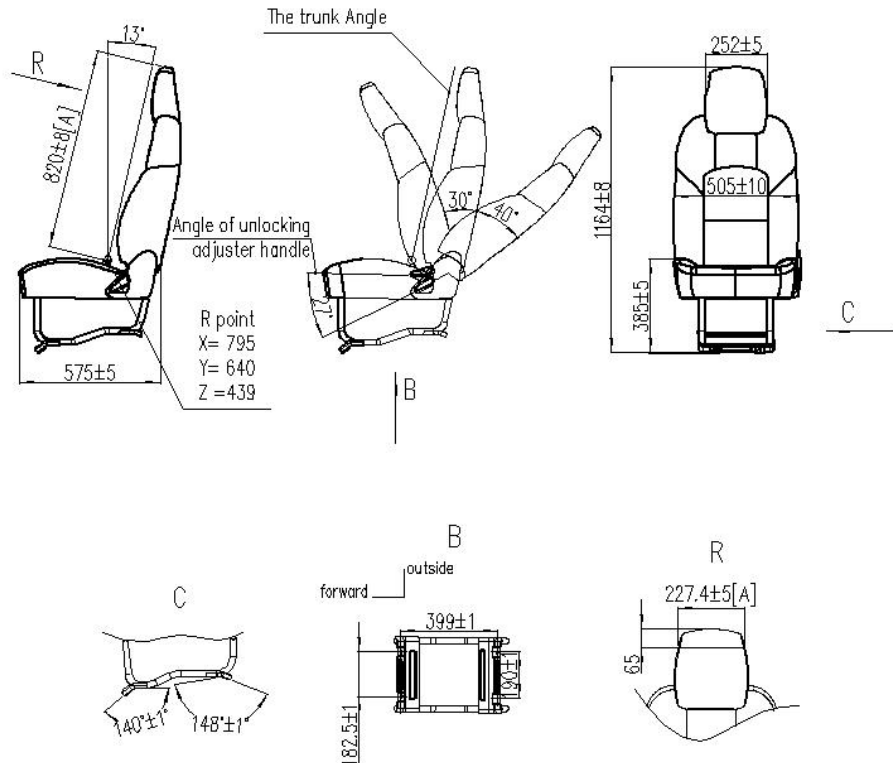


Part number (Type name)	Manufacture	Note
<b>M46810000137</b>	<b>Zhejiang Tiancheng Controls Co., Ltd.</b>	<b>Airbag shock, fabric</b>
<b>M46810000177</b>	<b>Zhejiang Tiancheng Controls Co., Ltd.</b>	<b>Airbag shock, PVC, ventilation, heating</b>

Title: Drawing of driver seat and co-driver seat anchorages

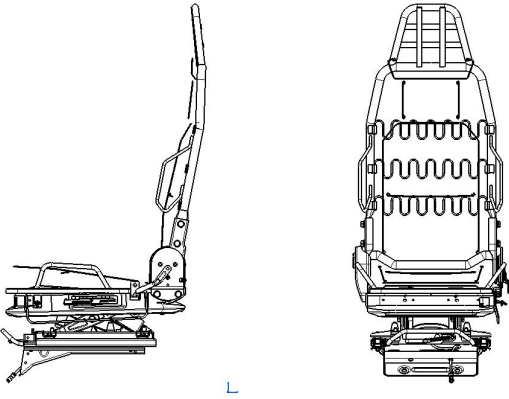
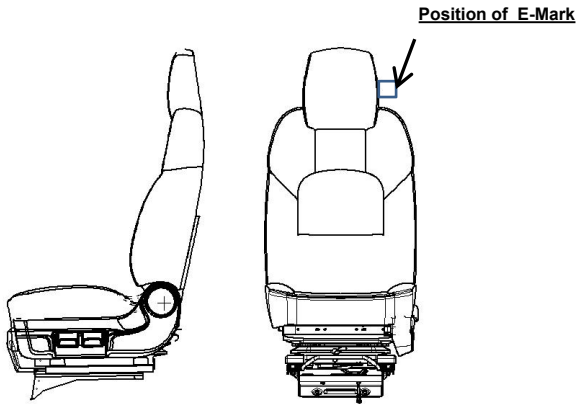
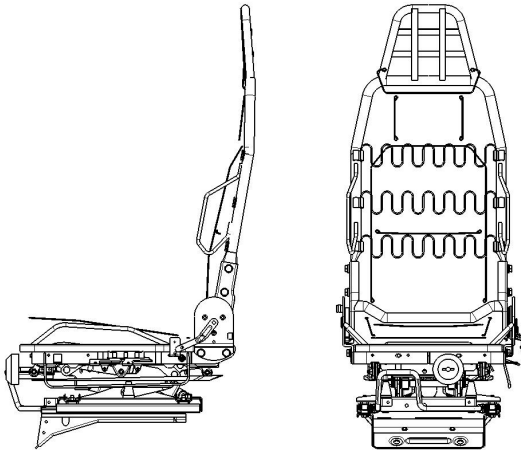
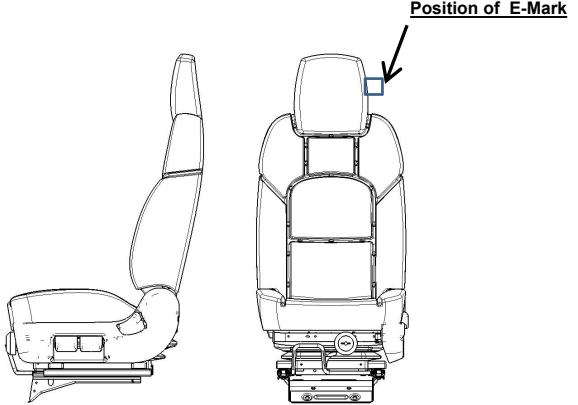
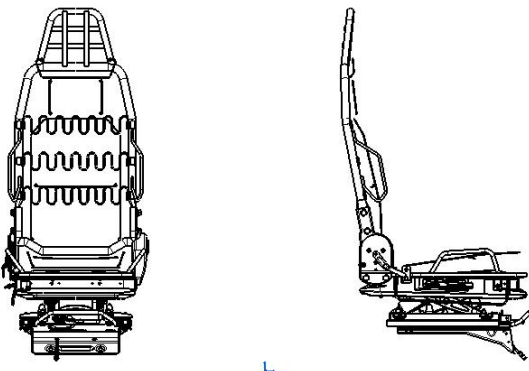
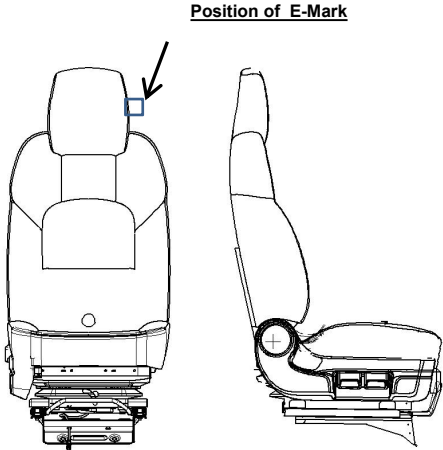
**Right hand drive: Type 6 Co-driver**

#



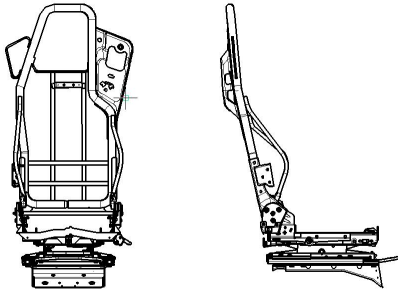
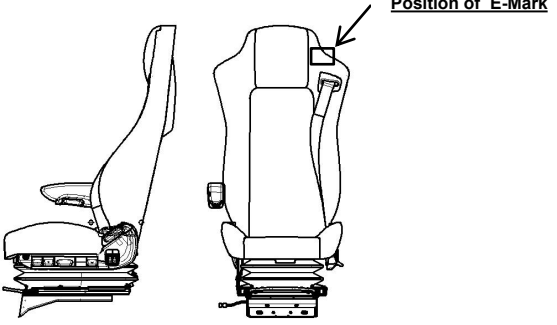
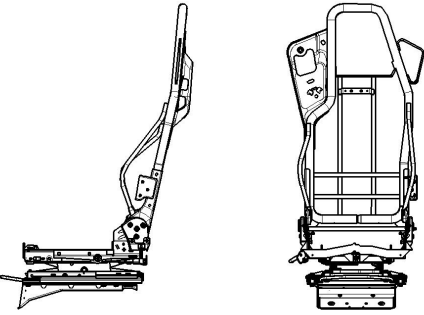
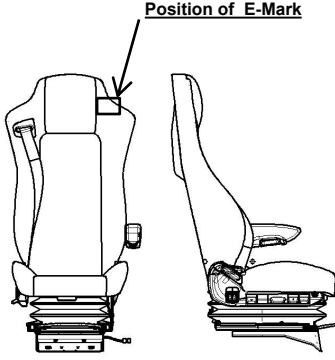
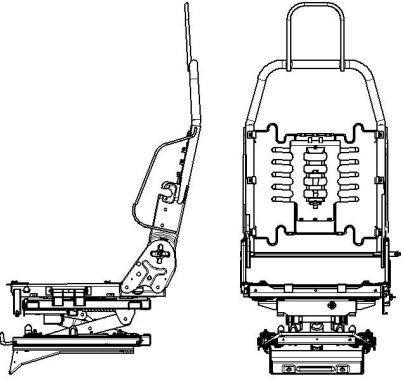
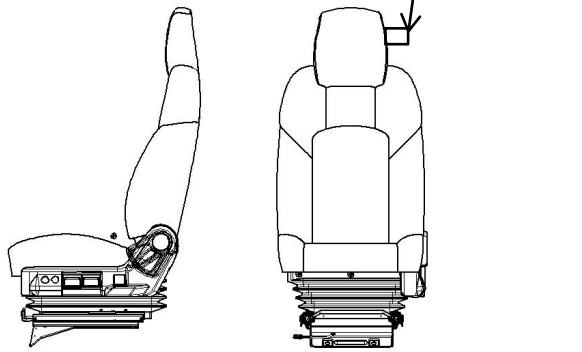
Part number (Type name)	Manufacture	Note
<u>M468100000138</u>	<u>Zhejiang Tiancheng Controls Co., Ltd.</u>	<u>fabric</u>
<u>M468100000178</u>	<u>Zhejiang Tiancheng Controls Co., Ltd.</u>	<u>PVC</u>

Title: : Drawing of frame and padding of driver seat

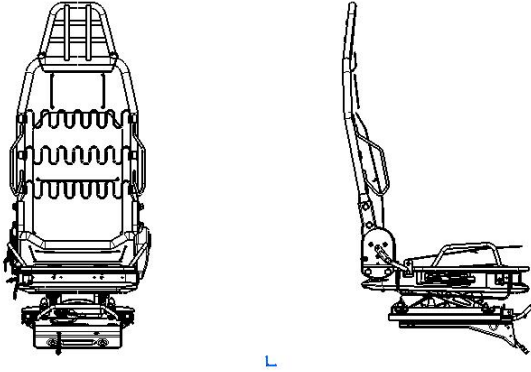
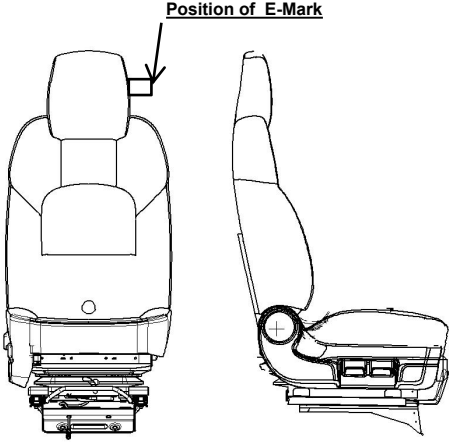
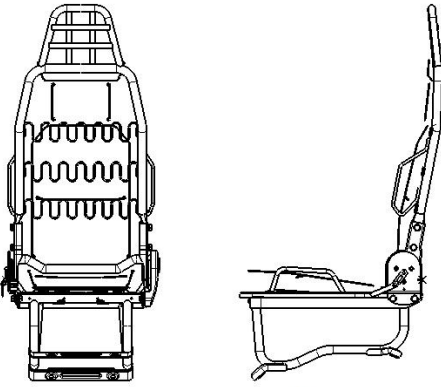
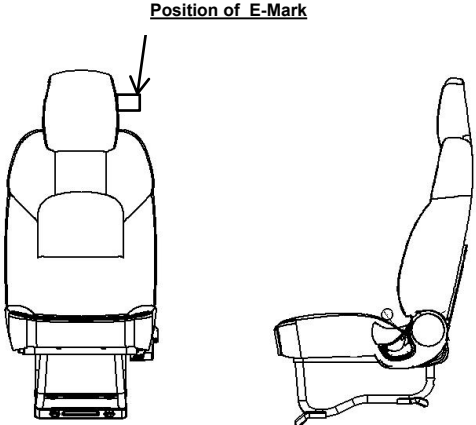
		#
<b>Type 1 Driver</b>		
<b>Frame( material: Q235)</b>	<b>Padding (Polyurethane soft foam)</b>	
		
<b>Type 2 Driver</b>		
<b>Frame( material: Q235)</b>	<b>Padding (Polyurethane soft foam)</b>	
		
<b>Type 3 Driver</b>		
<b>Frame( material: Q235)</b>	<b>Padding (Polyurethane soft foam)</b>	
		

Title: : Drawing of frame and padding of driver seat

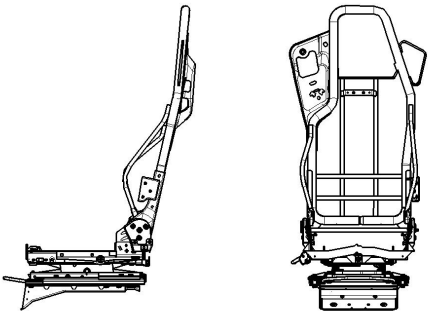
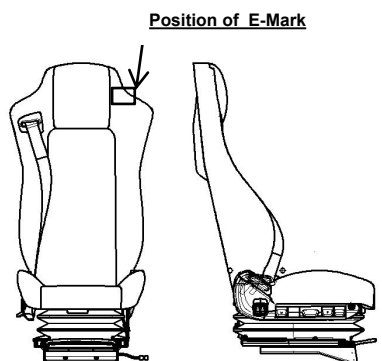
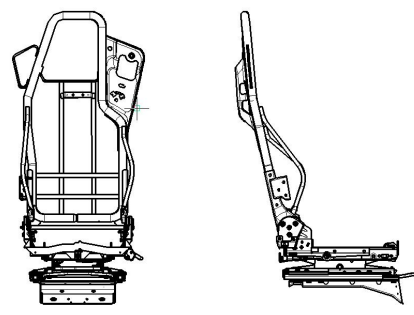
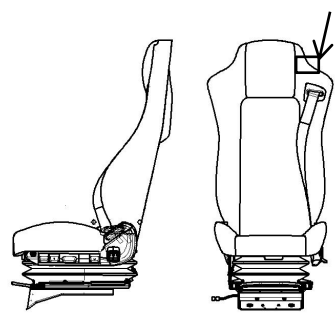
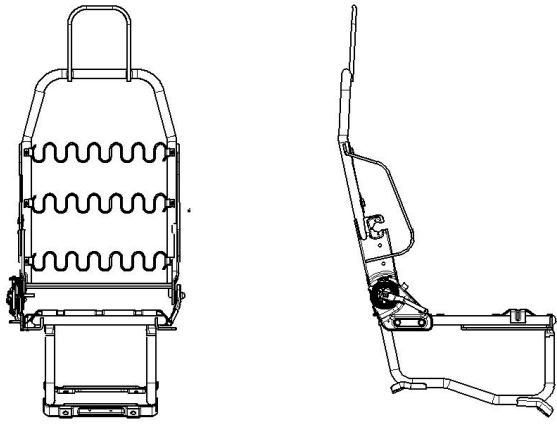
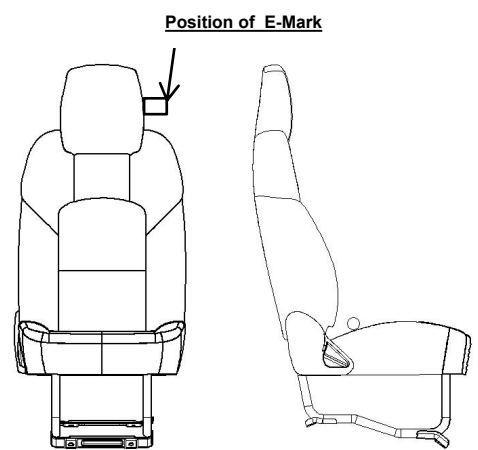
#

Type 4 Driver	
Frame( <u>material: Q235</u> )	Padding ( <u>Polyurethane soft foam</u> )
	
Type 5 Driver	
Frame( <u>material: Q235</u> )	Padding ( <u>Polyurethane soft foam</u> )
	
Type 6 Driver	
Frame( <u>material: Q235</u> )	Padding ( <u>Polyurethane soft foam</u> )
	

Title: Drawing of frame and padding of co-driver seat

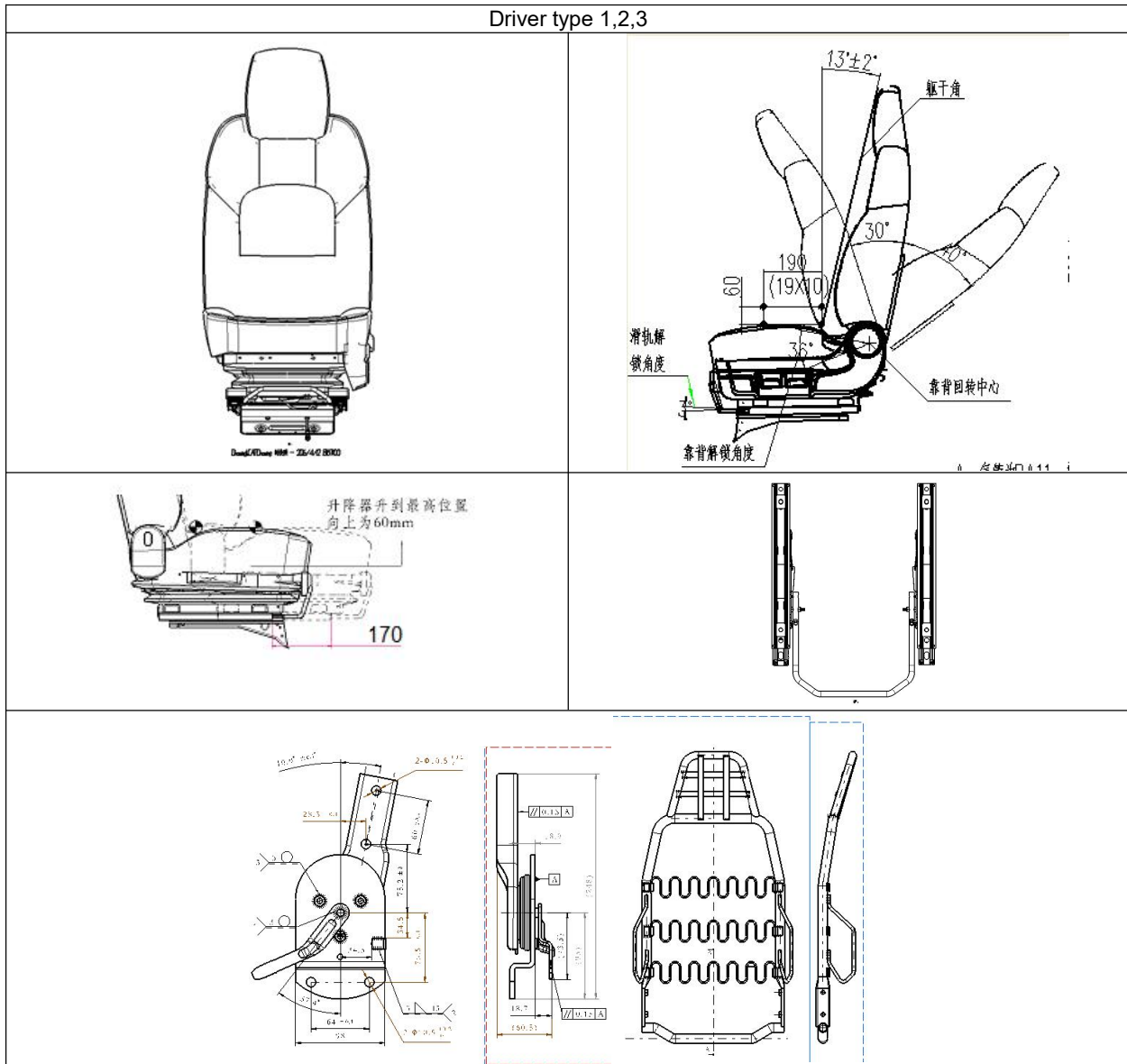
Type 1 and Type 2 Co-driver seat	
Frame( <u>material: Q235</u> )	Padding ( <u>Polyurethane soft foam</u> )
	
Type 3 Co-driver seat	
Frame( <u>material: Q235</u> )	Padding ( <u>Polyurethane soft foam</u> )
	

Title: Drawing of frame and padding of co-driver seat

#	
<b>Type 4 Co-driver</b>	
<b>Frame( material: Q235)</b>	<b>Padding (Polyurethane soft foam)</b>
	
<b>Type 5 Co-driver</b>	
<b>Frame( material: Q235)</b>	<b>Padding (Polyurethane soft foam)</b>
	
<b>Type 6 Co-driver</b>	
<b>Frame( material: Q235)</b>	<b>Padding (Polyurethane soft foam)</b>
	

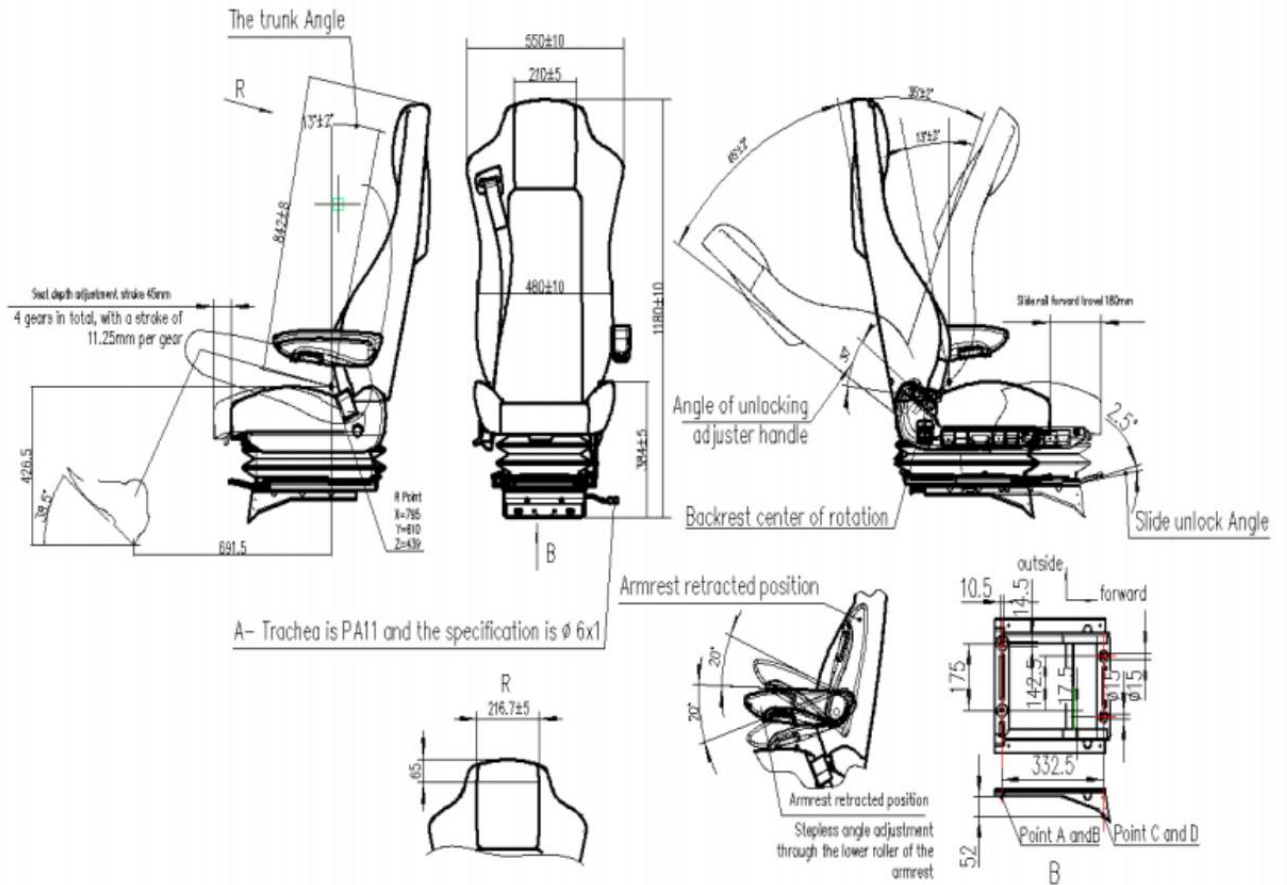
Title: Drawing of adjustment system of driver and co-driver seat

## Driver type 1,2,3



Title: Drawing of adjustment system of driver and co-driver seat

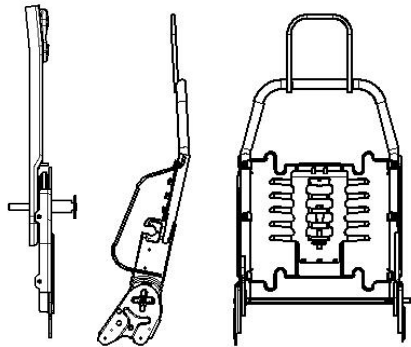
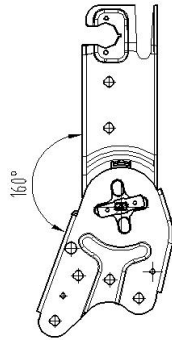
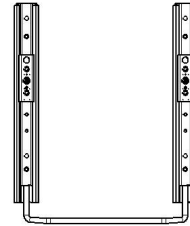
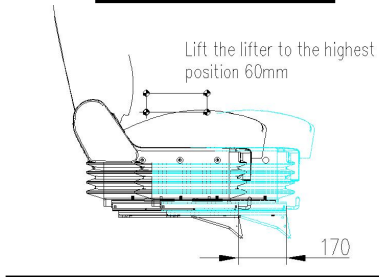
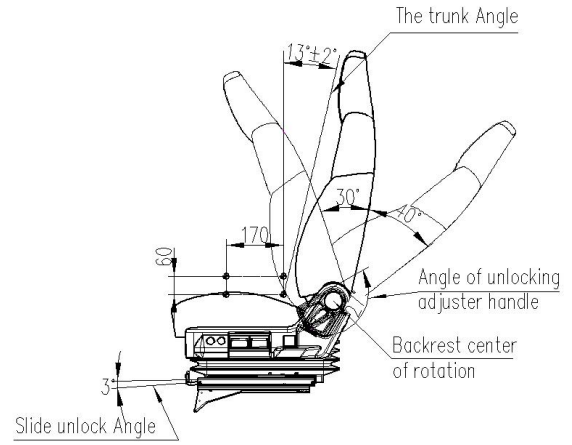
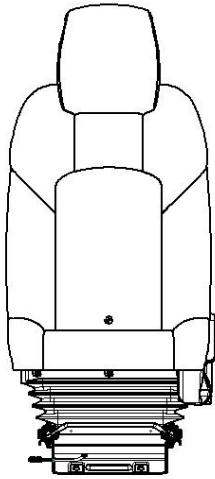
## Driver type 4,5



Title: Drawing of adjustment system of driver and co-driver seat

**Driver type 6**

#



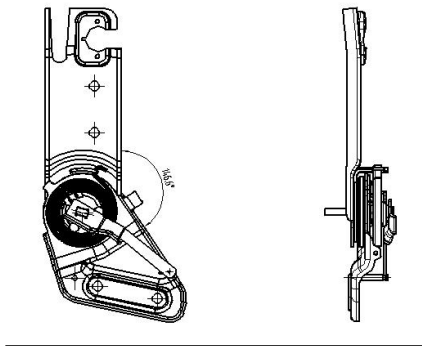
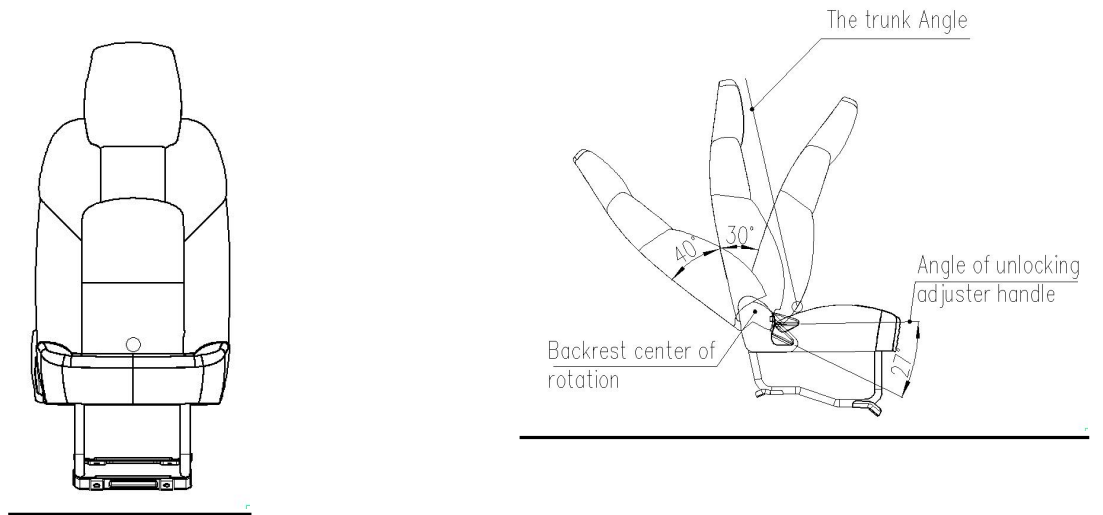




Title: Drawing of adjustment system of driver and co-driver seat

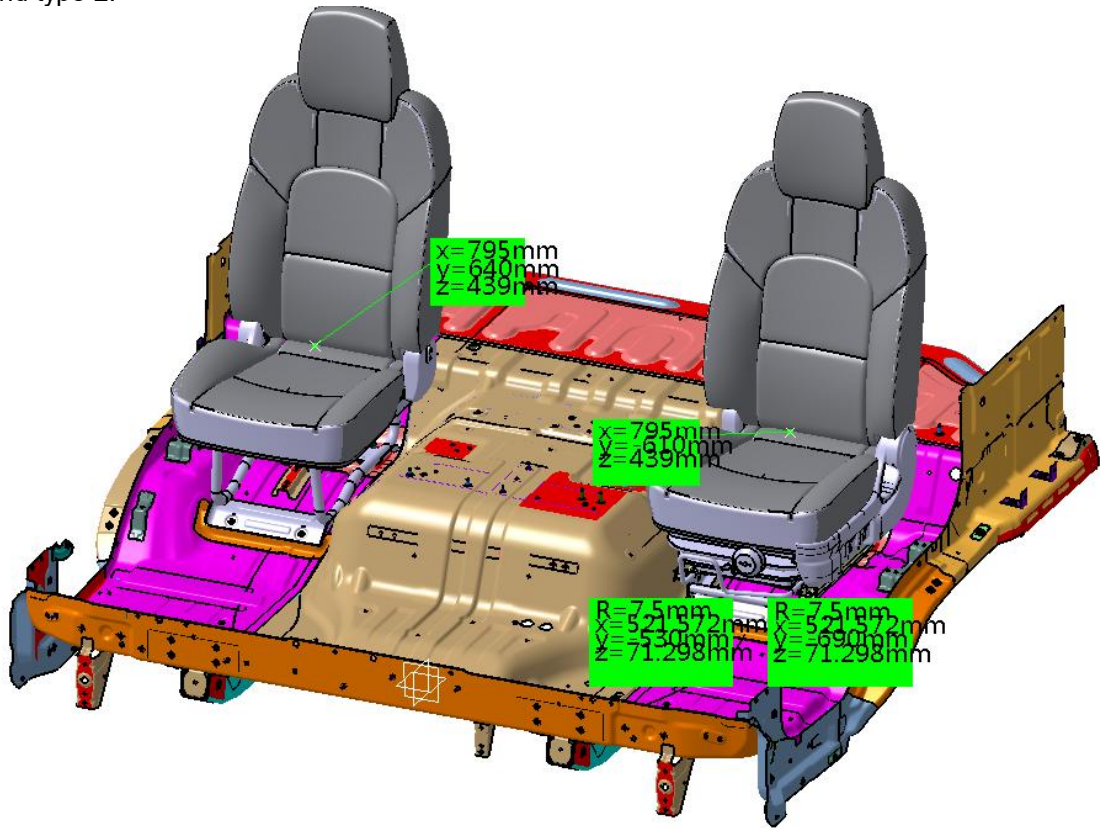
**Co-driver (type 6)**

#



## Title: Location of primary reference points and R-point

Type 1 and type 2:



Primary reference point (the fixed point of seat anchorages):

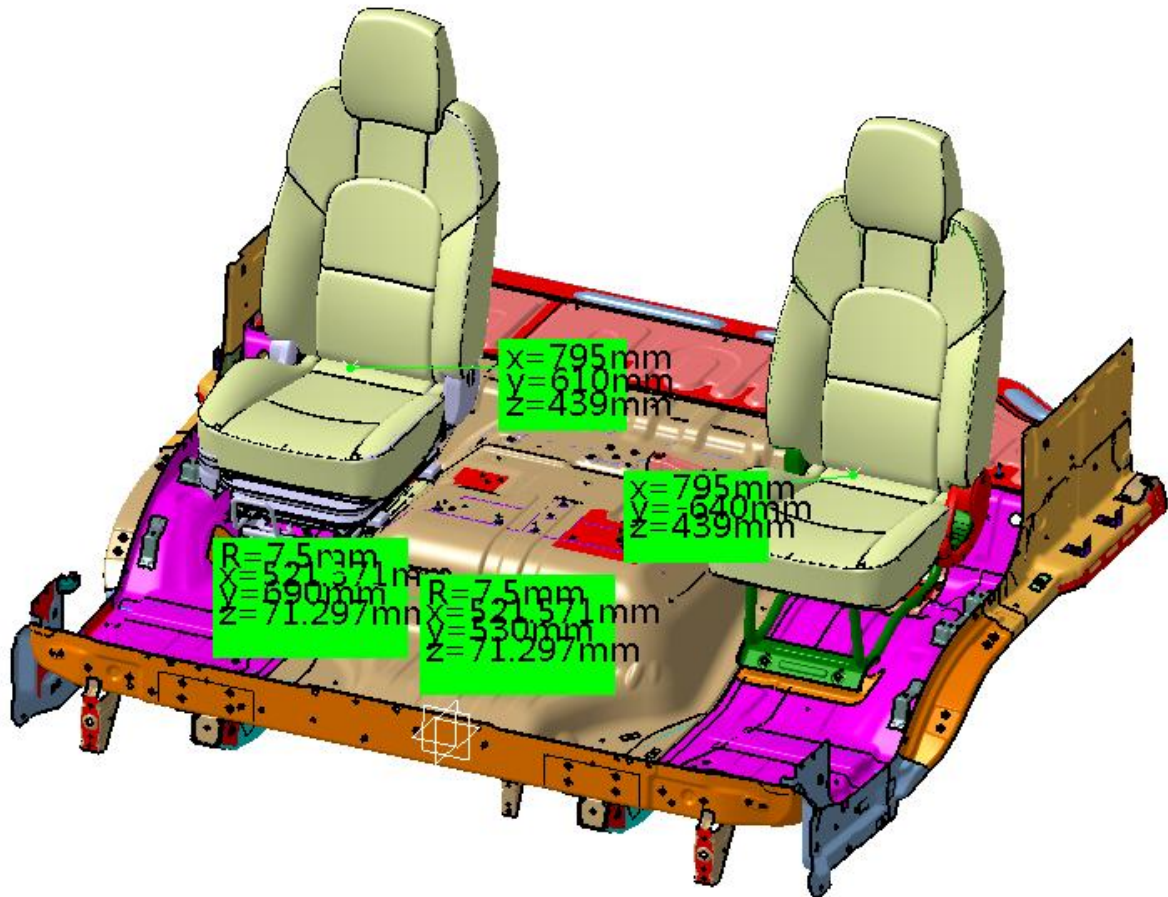
Seat		Co-ordinates of R-Point (mm)		
		X	Y	Z
First row	Driver seat	795	-610	439
	Co-driver seat	795	640	439

Fiducial mark position	Co-ordinates (mm)		
	X	Y	Z
1	521.5	-690	71.3
2	521.5	-530	71.3

Title: Location of primary reference points and R-point

 Type 3, type 6

#



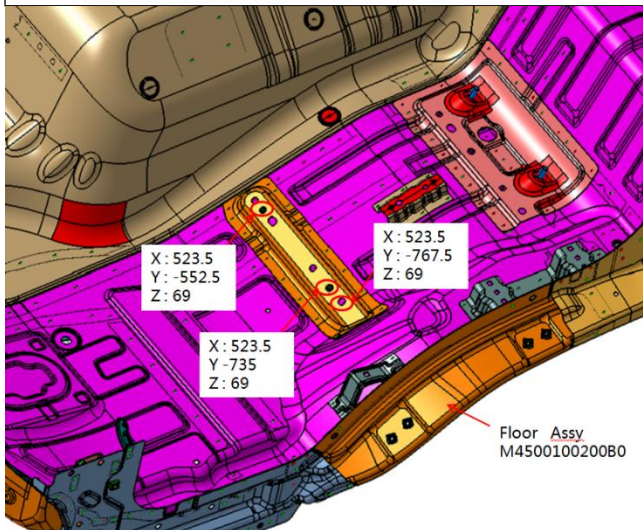
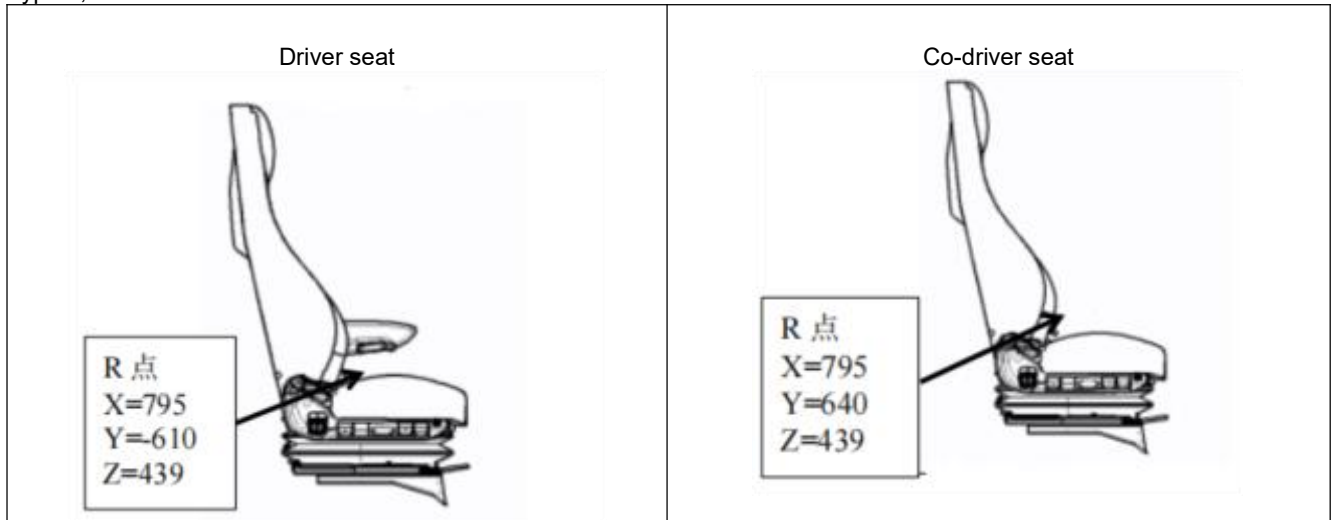
Primary reference point (the fixed point of seat anchorages)

Seat		Co-ordinates of R-Point (mm)		
		X	Y	Z
First row	Driver seat	795	610	439
	Co-driver seat	795	-640	439

Fiducial mark position	Co-ordinates (mm)		
	X	Y	Z
1	521.5	690	71.3
2	521.5	530	71.3

Title: Location of primary reference points and R-point

Type 4,5



Remark: The R point of right and left hand are symmetrical